



GSPRINT4502

Evaluation Kit

General Description

Gpixel's USB3-based evaluation platform is ideal for an easy and accurate evaluation of the GSPRINT4502 CMOS sensor. Its form factor, the GenICam compatibility and external triggering options provide flexible setup options in both lab and industrial environments. The high-speed USB3 interface ensures a smooth, real-time imaging experience.



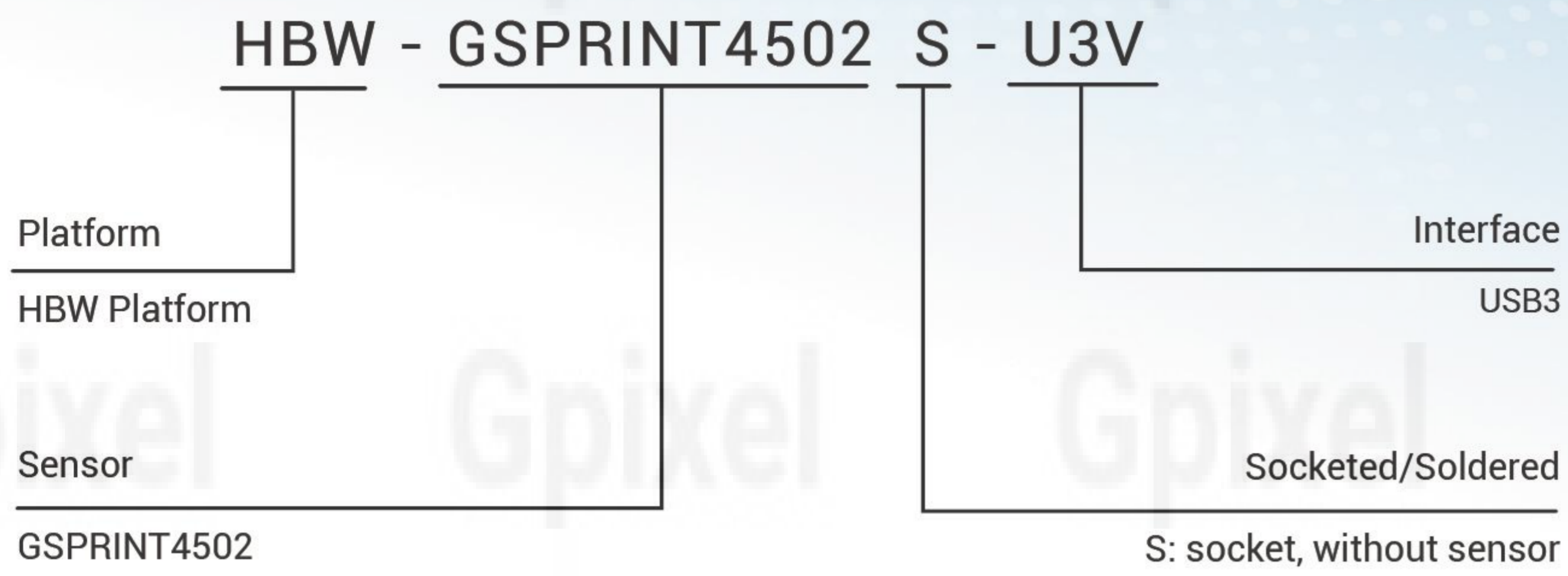
Key Features

- USB3 Interface
- Raw Image Output
- 8/10/12-bit Modes
- Normal, Binned or Windowed Readout
- GenICam Compatible
- User-friendly Form Factor
- C/CS-mount

Specifications

| Item | Description |
|-----------------------|--|
| Sensor | GSPRINT4502 |
| Output Interface | USB3 |
| Resolution (H x V) | 2048 x 1216 |
| Frame Rates(binned) | 842fps (2966fps) @12bit 1751fps (5845fps) @10bit 2354fps (7433fps) @8bit |
| Exposure Time | 1 μ s ~ 49.99s |
| Pixel Bit Depth | 8/10/12-bit |
| Trigger Mode | External / Free Running |
| Lens Mount | C/CS-mount |
| Power Supply | 10 – 25V |
| Power Consumption | Typical 14.3W@12V DC |
| Operating Temperature | 0-50°C |

Ordering Information

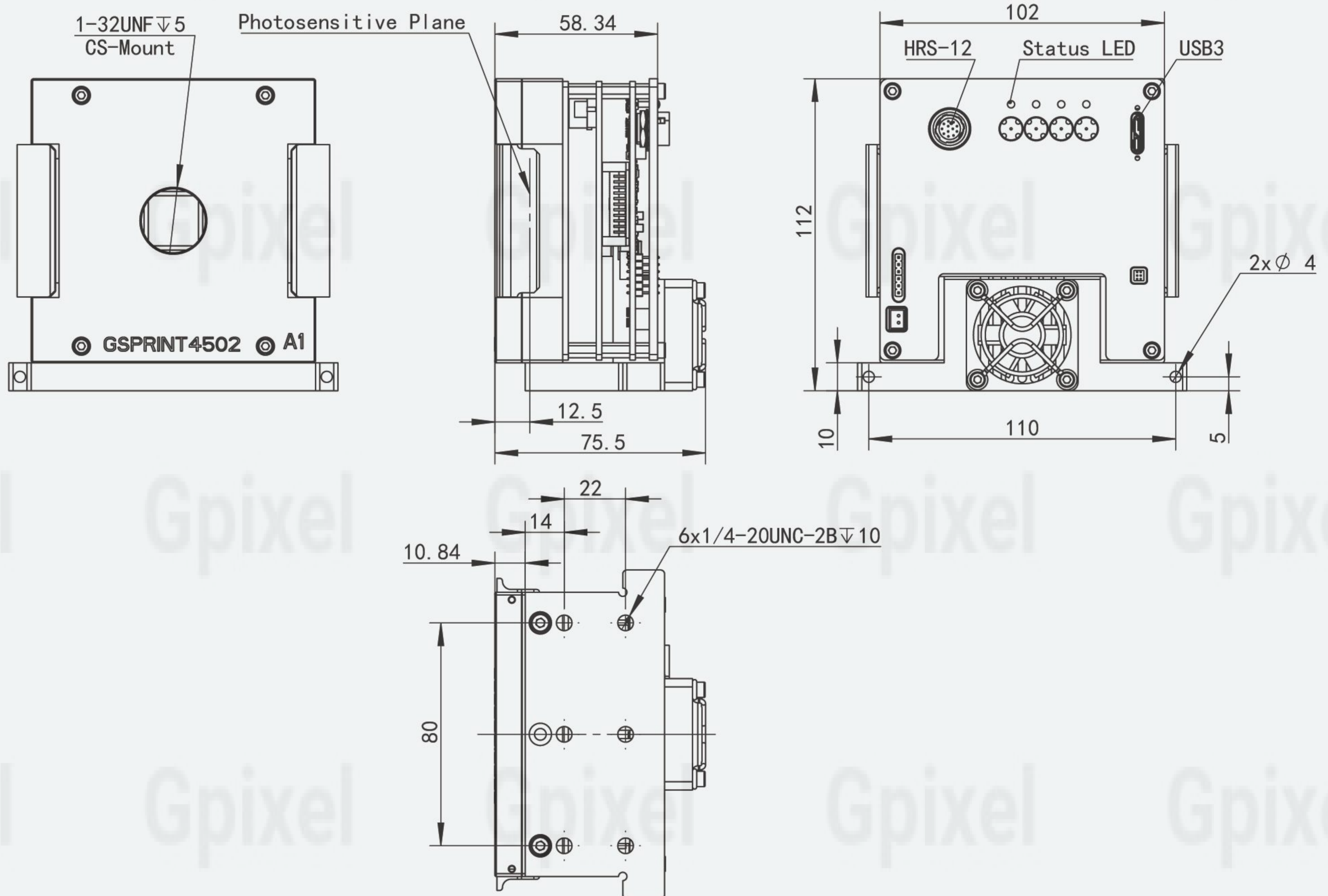


Evaluation Kit Includes

- Evaluation module
- Power adapter
- Power cable with DC plug and trigger
- DC plug adapter 2.1 mm to 2.5mm
- Extension ring 5mm, C/CS mounting
- USB cable Type-A to Micro-B

Note: The sensor is not included in evaluation module.

Mechanical Drawing



Contact Gpixel HQ

Add: Building #5, Optoelectronic Information Industrial Park, #7691 Ziyou Road, Changchun, Jilin, China.

Tel: +86-0431-85077785

Email: info@gpixel.com

Website: www.gpixel.com

Revision 20240226

