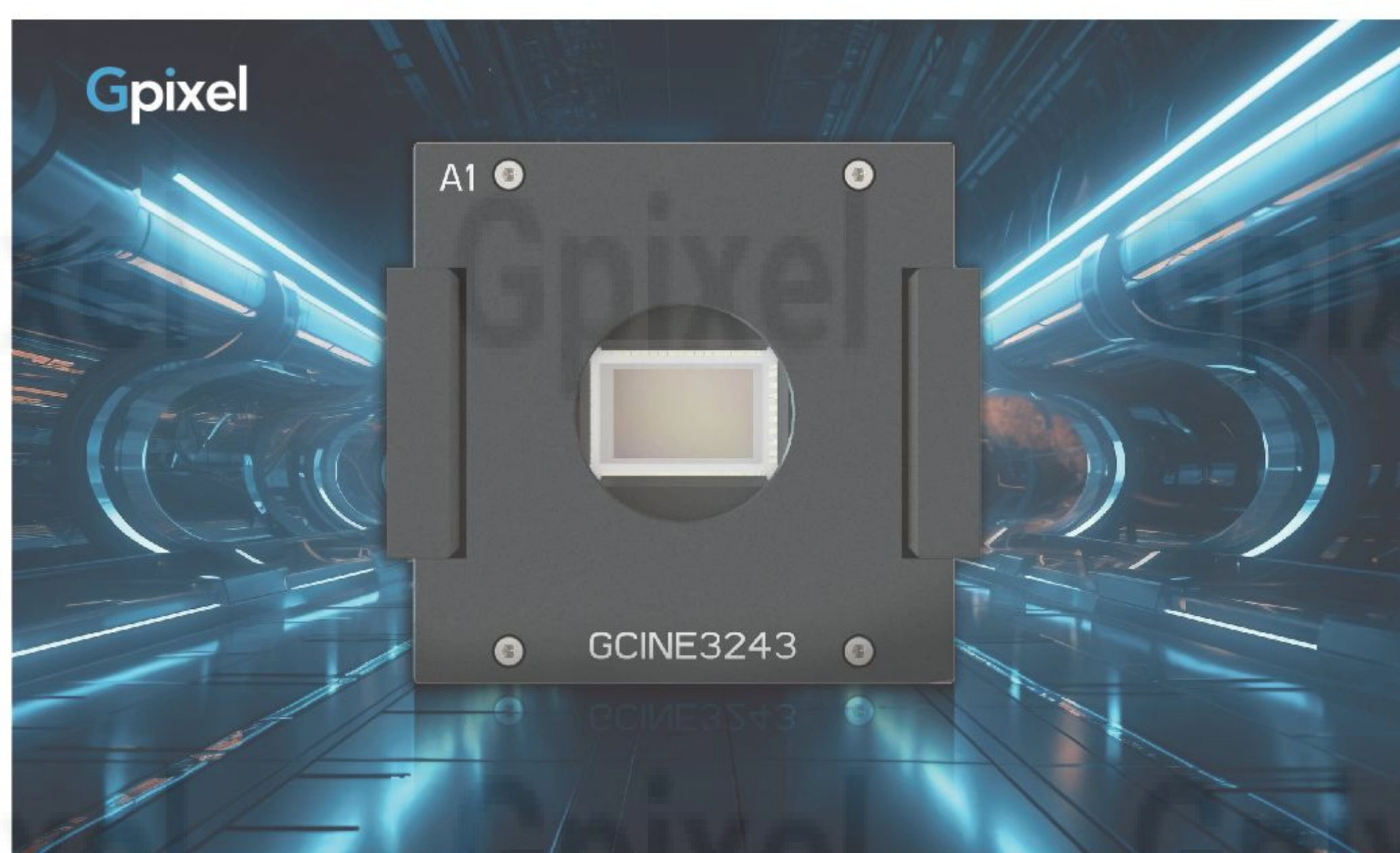


GCINE3243

Evaluation Kit

General Description

Gpixel's USB3-based evaluation platform is ideal for an easy and accurate evaluation of the GCINE3243 APS-C image sensor. Its form factor and GenICam compatibility provide flexible setup options in both lab and industrial environments. The high-speed USB3 interface ensures a smooth, real-time imaging experience.



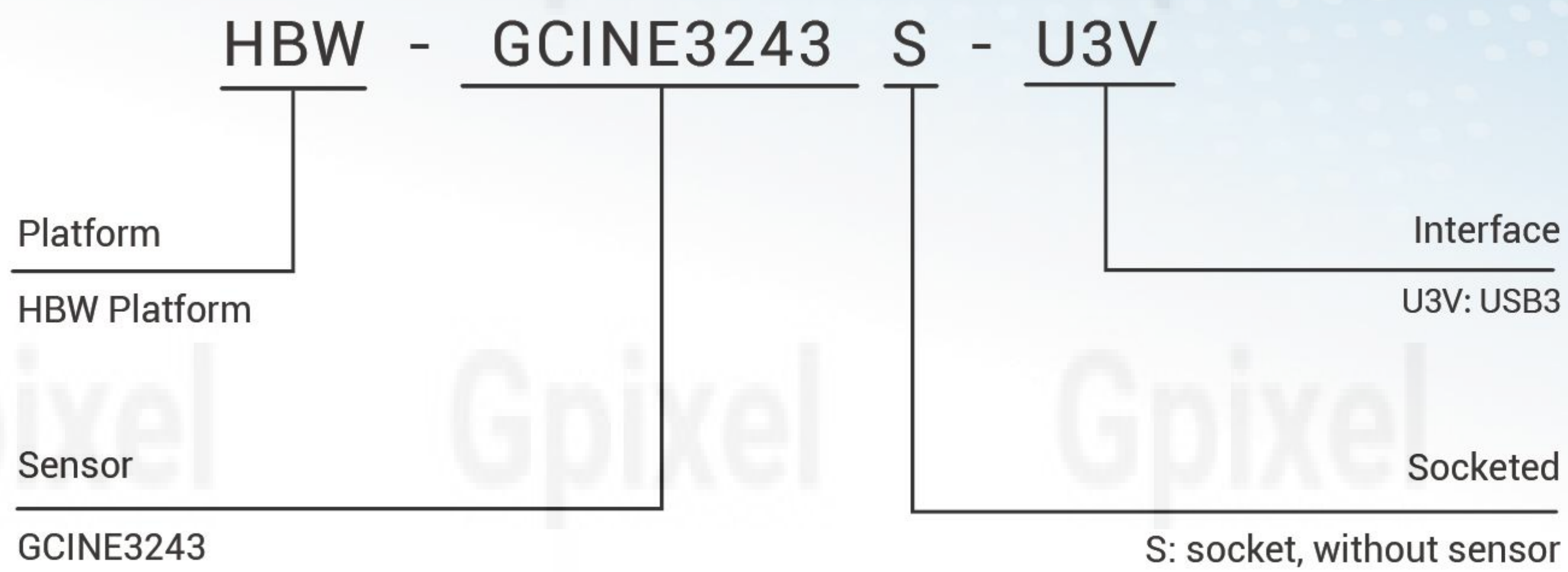
Key Features

- USB3 Interface
- 8K/4K Video, DSC Modes
- On-chip Exposure Summing
- Dual Gain HDR
- Raw Image Output
- GenICam Compatible
- User-friendly Form Factor
- M42-mount or F-mount

Specifications

Item	Description
Sensor	GCINE3243
Output Interface	USB3
Resolution (H x V)	8K: 8192 x 4320 4K: 4096 x 2160 DSC: 8192 x 5232
Frame Rates	120fps @4K / 60fps @8K
Pixel Bit Depth	14-bit
Multi-Exposure	1/2/4
Dual Gain HDR	Dual Gain(uncompressed/compressed)
Trigger Mode	External / Free Running
Lens Mount	M42-mount or F-mount
Power Supply	10V~25V
Power Consumption	Typical 14.5W@12V DC
Operating Temperature	0-50°C

Ordering Information

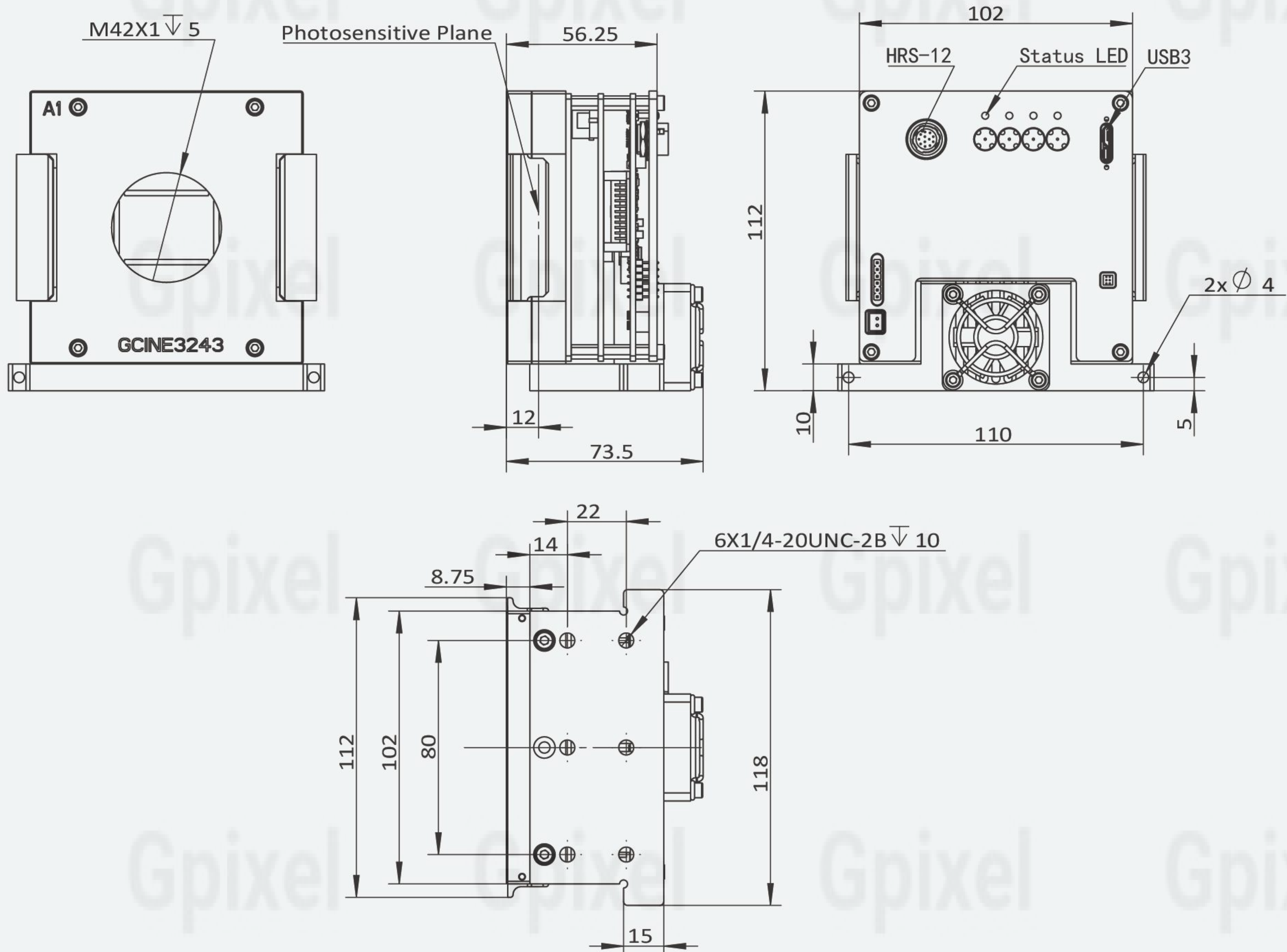


Evaluation Kit Includes

- Evaluation module
- Power adapter
- Power cable with DC plug
- DC plug adapter 2.1mm to 2.5mm
- Extension ring M42 to M42-19.5mm
- F-mount adapter, 15mm
- USB cable type-A to micro-B

Note: The sensor is not included in evaluation module.

Mechanical Drawing



Contact Gpixel HQ

Add: Building #5, Optoelectronic Information Industrial Park, #7691 Ziyou Road, Changchun, Jilin, China.

Tel: +86-0431-85077785

Email: info@gpixel.com

Website: www.gpixel.com

Revision 20240226

