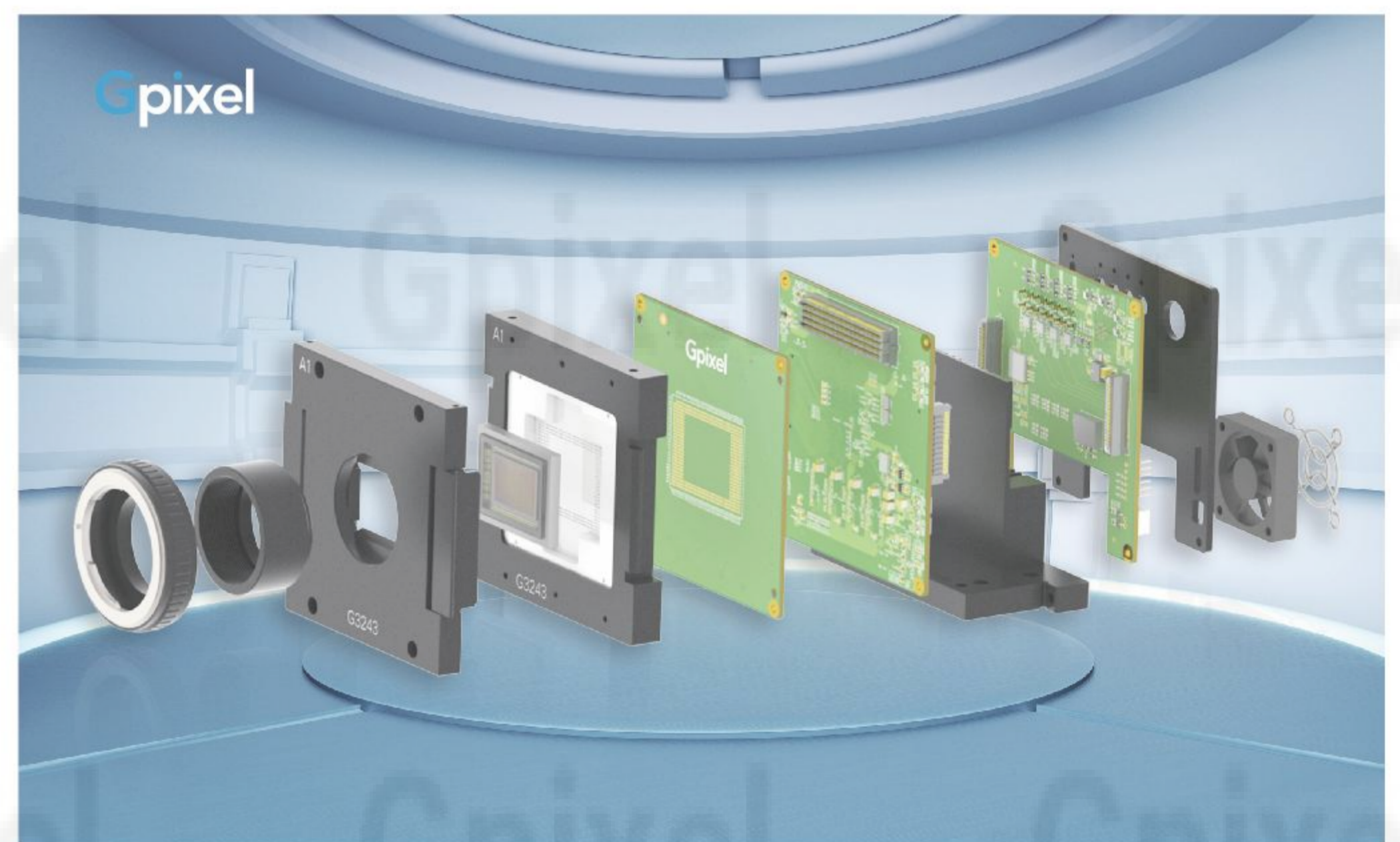
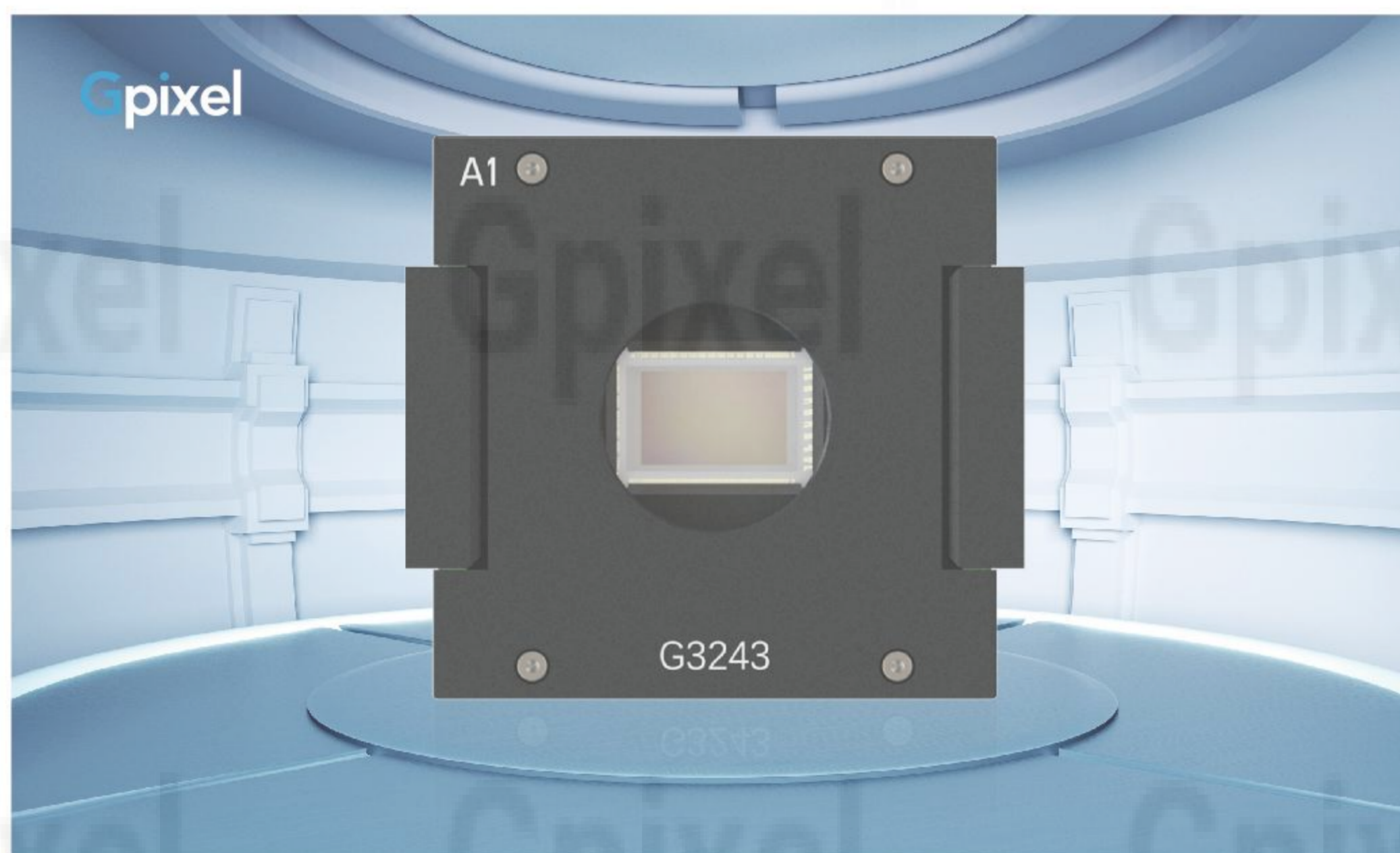




GSENSE3243BSI Evaluation Kit

General Description

Gpixel's USB3-based evaluation platform is ideal for an easy and accurate evaluation of the GSENSE3243BSI image sensor. Its form factor and GenICam compatibility provide flexible setup options in both lab and industrial environments. The high-speed USB interface ensures a smooth, real-time imaging experience.



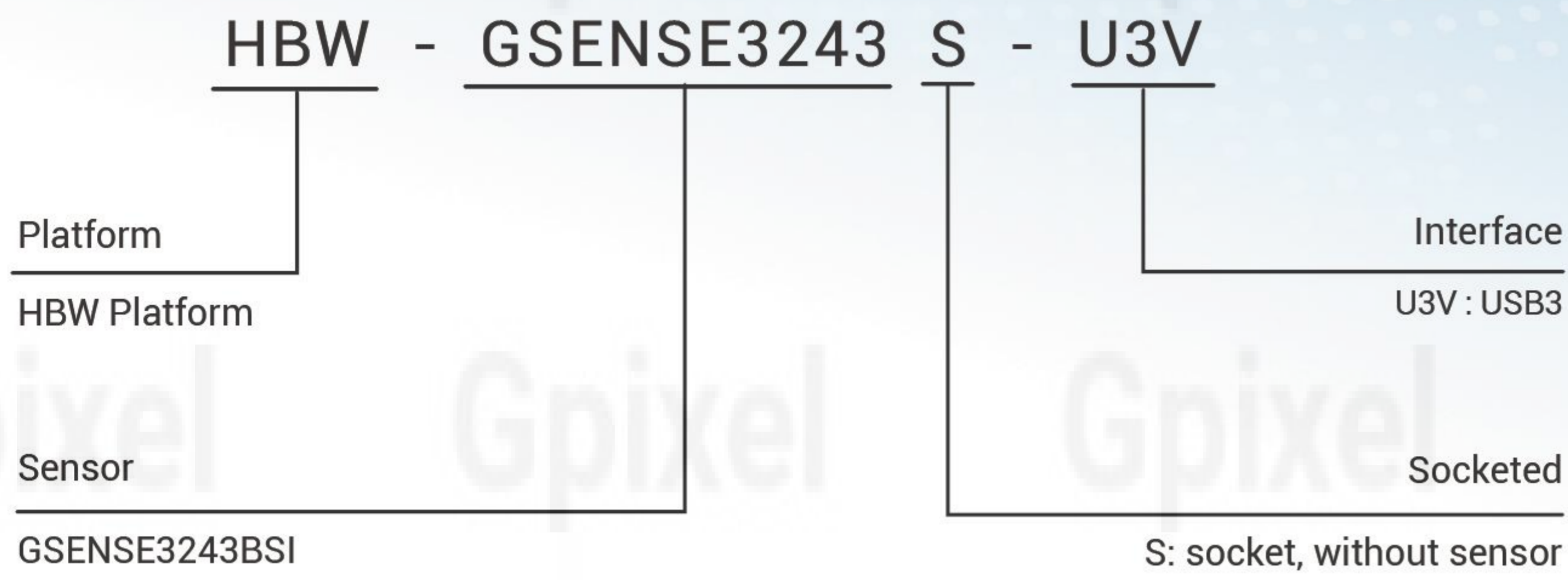
Key Features

- USB3 Interface
- Raw Image Output
- STD, Dual Gain HDR or Multiple Slope HDR
- GenICam Compatible
- User-friendly Form Factor
- M42-mount or F-mount
- On-chip Exposure Summing

Specifications

Item	Description
Sensor	GSENSE3243BSI
Output Interface	USB3
Resolution (H x V)	Readable: 8224 x 5264 Effective: center 8192 x 5232
Frame Rates	Up to 50fps @ full resolution
Pixel Bit Depth	14-bit
Multi-Exposure	1 / 4
HDR	Dual Gain and Multiple Slope HDR
Trigger Mode	Free Running
Lens Mount	M42-mount or F-mount
Power Supply	10V~25V
Power Consumption	Typical 12.5W@12V DC
Operating Temperature	0-50°C

Ordering Information

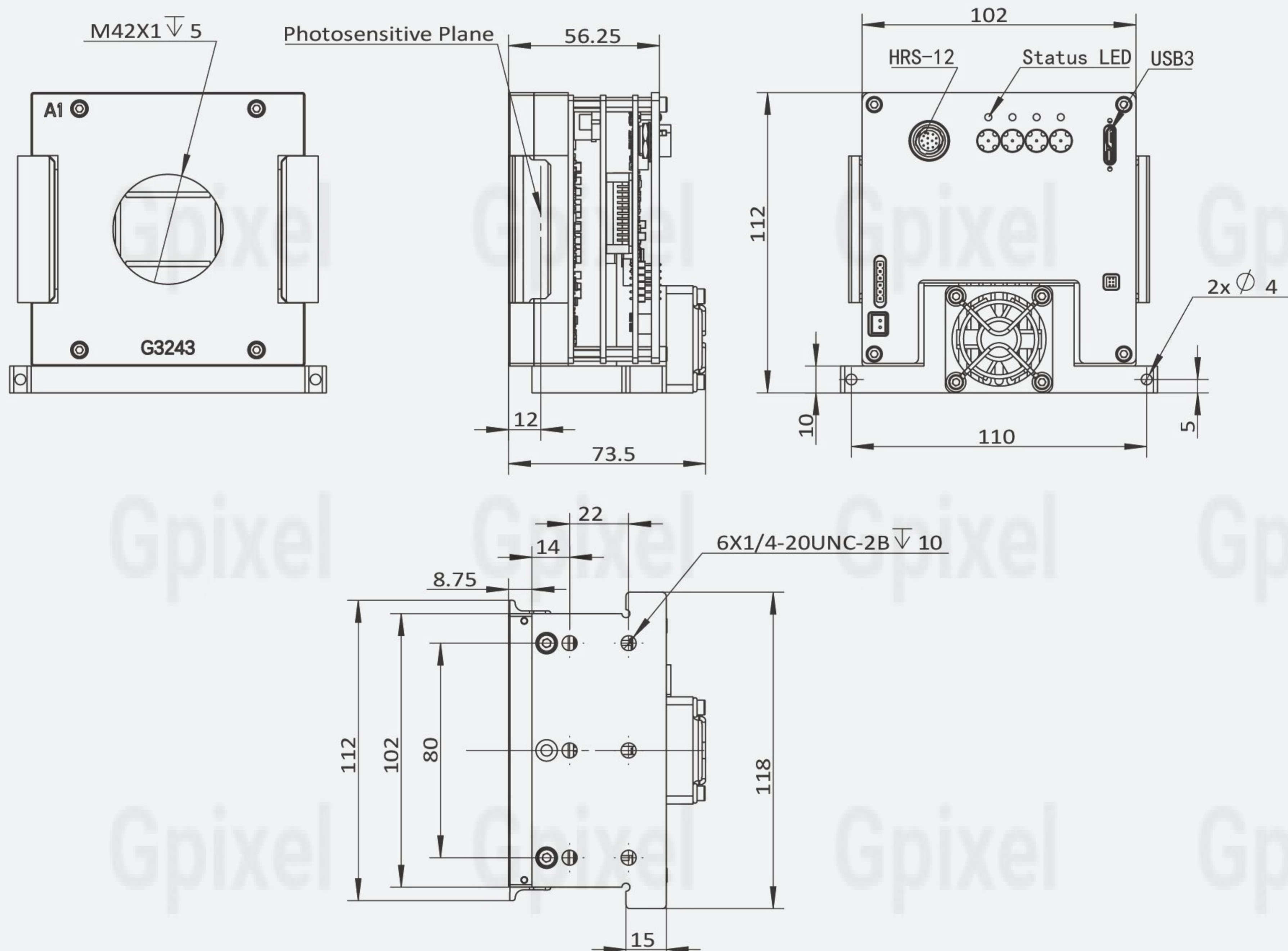


Evaluation Kit Includes

- Evaluation module
- Power adapter
- Power cable with DC plug
- DC plug adapter 2.1mm to 2.5mm
- Extension ring M42 to M42-19.5mm
- F-mount adapter, 15mm
- USB cable type-A to micro-B

Note: The sensor is not included in evaluation module.

Mechanical Drawing



Contact Gpixel HQ

Add: Building #5, Optoelectronic Information Industrial Park, #7691 Ziyou Road, Changchun, Jilin, China.

Tel: +86-0431-85077785

Email: info@gpixel.com

Website: www.gpixel.com

Revision 20240320

