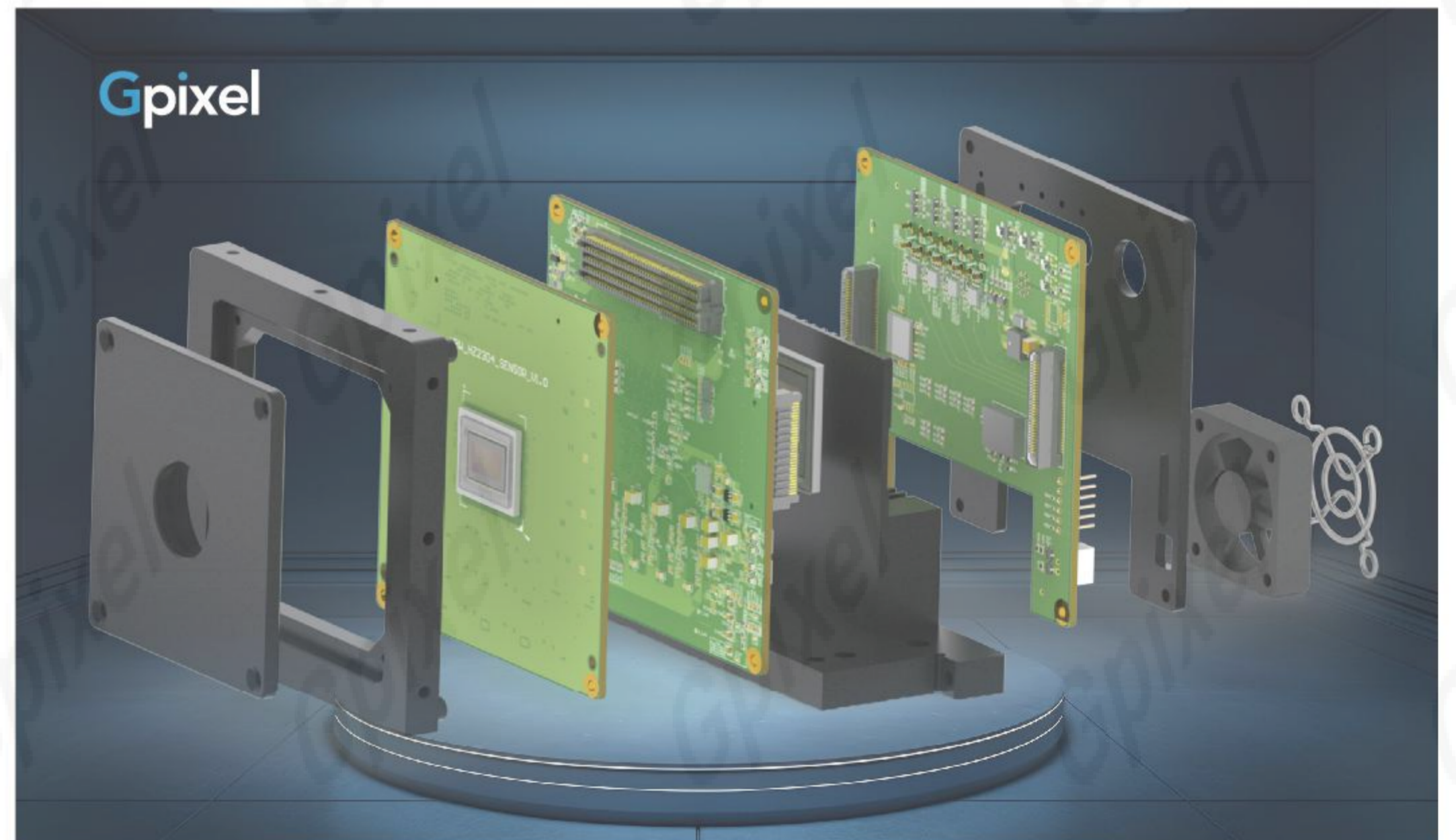
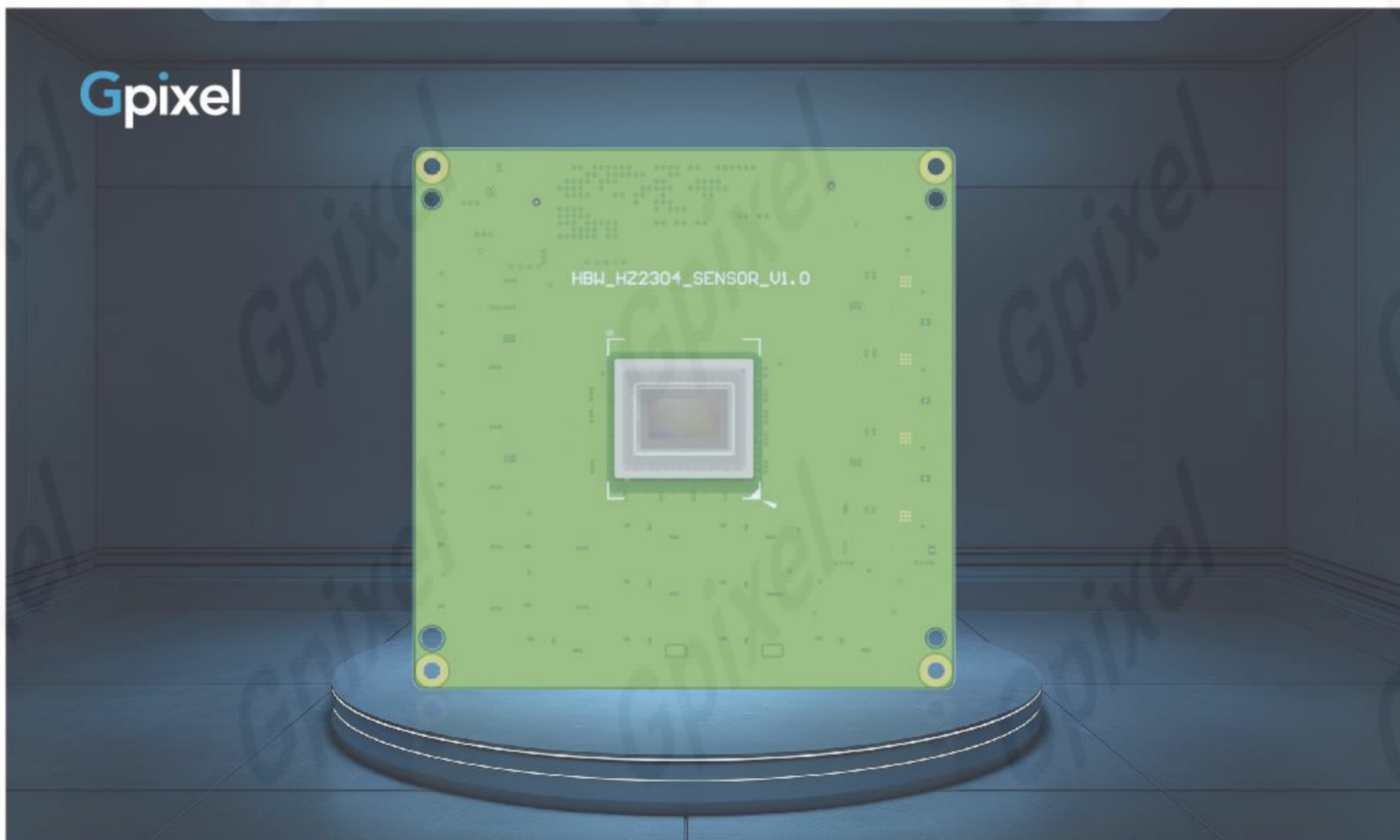




GSPRINT6502BSI Evaluation Kit

General Description

Gpixel's USB3-based evaluation platform is ideal for an easy and accurate evaluation of the GSPRINT6502BSI image sensor. Its form factor and GenICam compatibility provide flexible setup options in both lab and industrial environments. The high-speed USB interface ensures a smooth, real-time imaging experience.



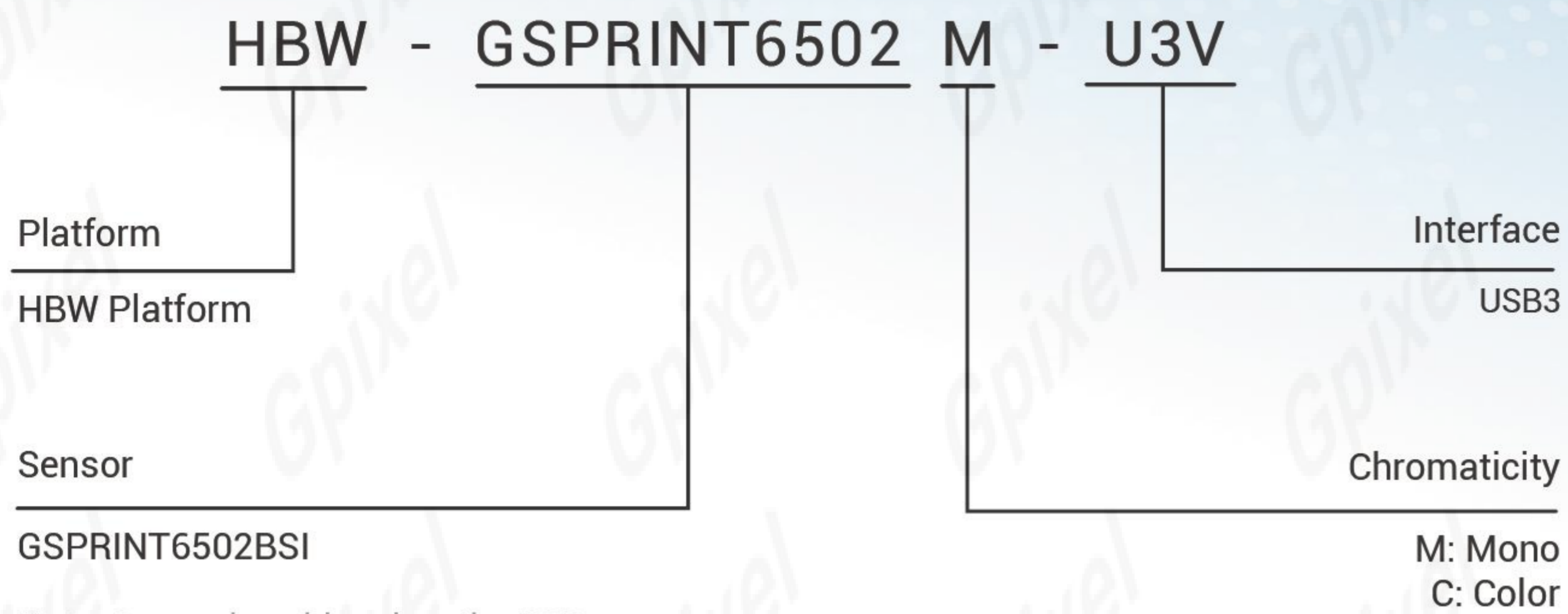
Key Features

- USB3 Interface
- Raw Image Output
- 10 – bit Mode
- Normal, Binned or Windowed Readout
- Multiple slope HDR
- GenICam Compatible
- User-friendly Form Factor
- C/CS-mount

Specifications

Item	Description
Sensor	GSPRINT6502
Output Interface	USB3
Resolution (H x V)	2048 x 1152
Frame Rates	1496fps @ Normal-10bit-Mode 2946fps @ Binning-10bit-Mode
Exposure Time	4 μ s ~ 49.9s
Pixel Bit Depth	10-bit
HDR	Multiple slope HDR
Trigger Mode	External / Free Running
ROIs	1~8 vertical ROIs
Lens Mount	C/CS-mount
Power Supply	10V~25V
Power Consumption	Typical 15.6W@12V DC
Operating Temperature	0-50°C

Ordering Information

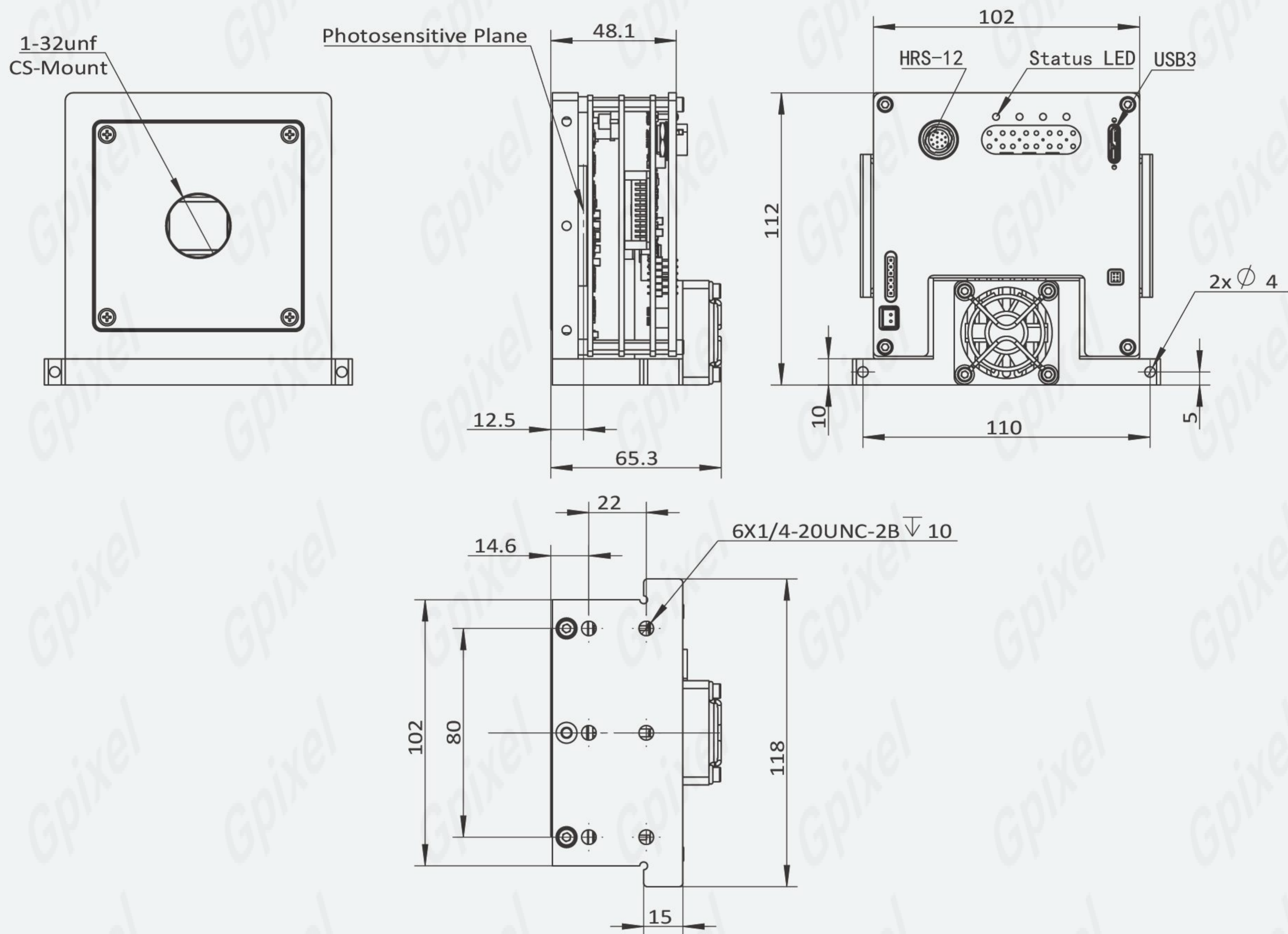


Note: Sensor is soldered on the PCB

Evaluation Kit Includes

- Evaluation module
- Power cable with DC plug and trigger
- USB cable type-A to micro-B
- Extension ring 5mm, C/CS mounting
- Power adapter
- DC plug adapter 2.1mm to 2.5mm

Mechanical Drawing



Contact Gpixel HQ

Add: Building #5, Optoelectronic Information Industrial Park, #7691 Ziyou Road, Changchun, Jilin, China.

Tel: +86-0431-85077785

Email: info@gpixel.com

Website: www.gpixel.com

Revision 20240821

