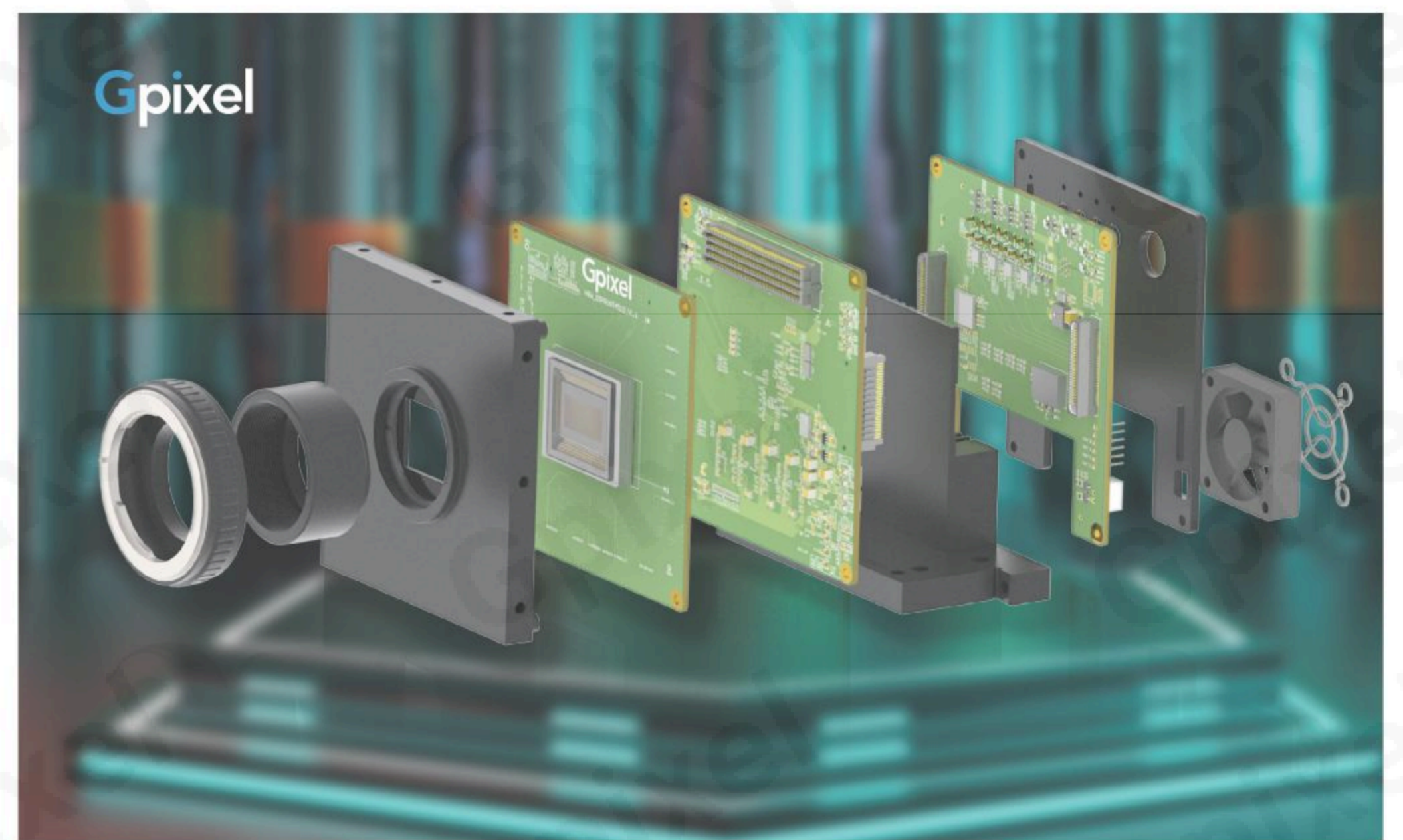
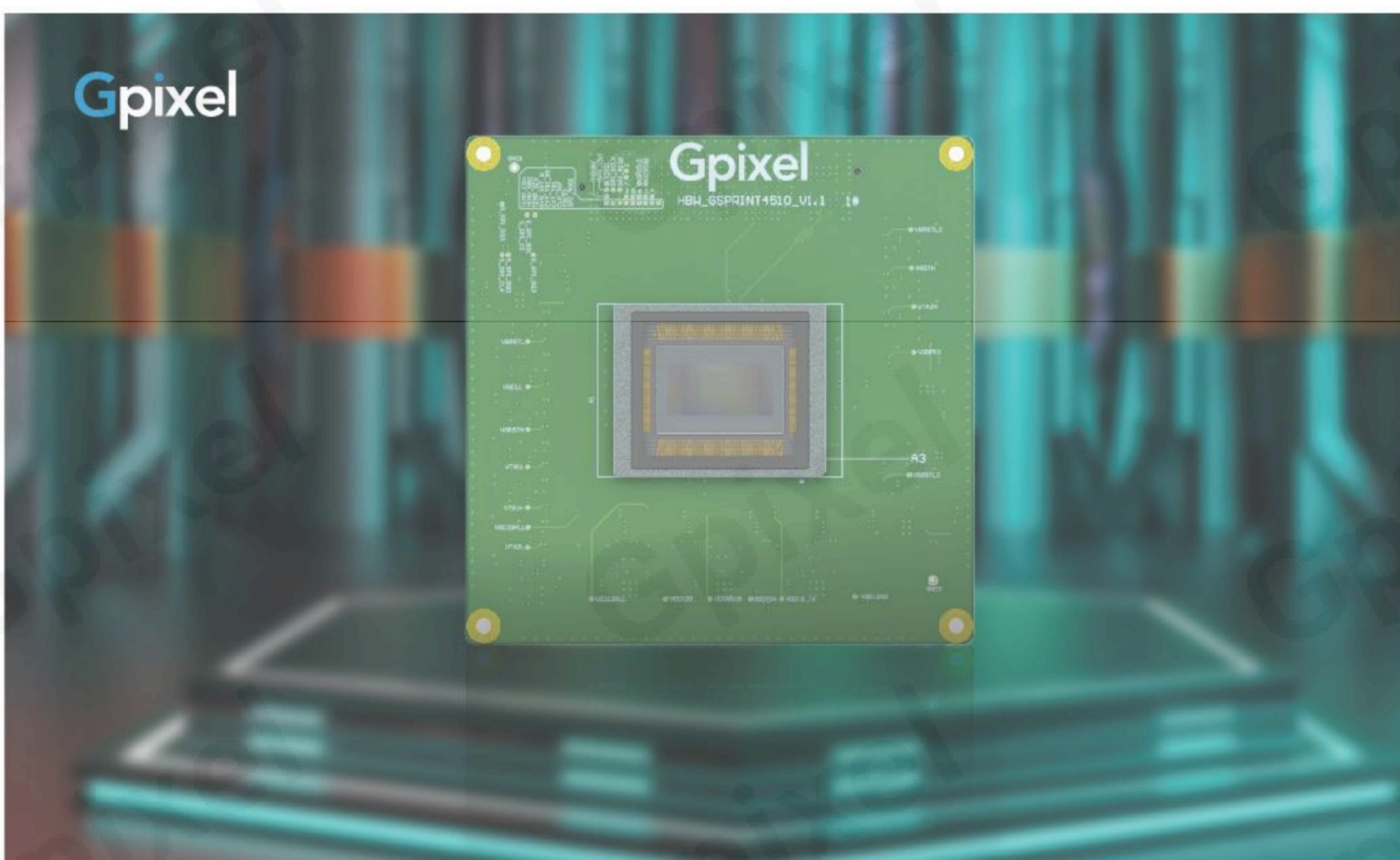


# GSPRINT4510 Evaluation Kit

## General Description

Gpixel's evaluation platform, featuring either CoaXPress 2.0 or USB3 interface, is designed for easy and accurate evaluation of the GSPRINT4510 CMOS sensor. Its form factor, the GenICam compatibility and external triggering options provide flexible setup options in both lab and industrial environments. The high-speed CoaXPress /USB3.0 Vision interface ensures a smooth, real-time imaging experience.



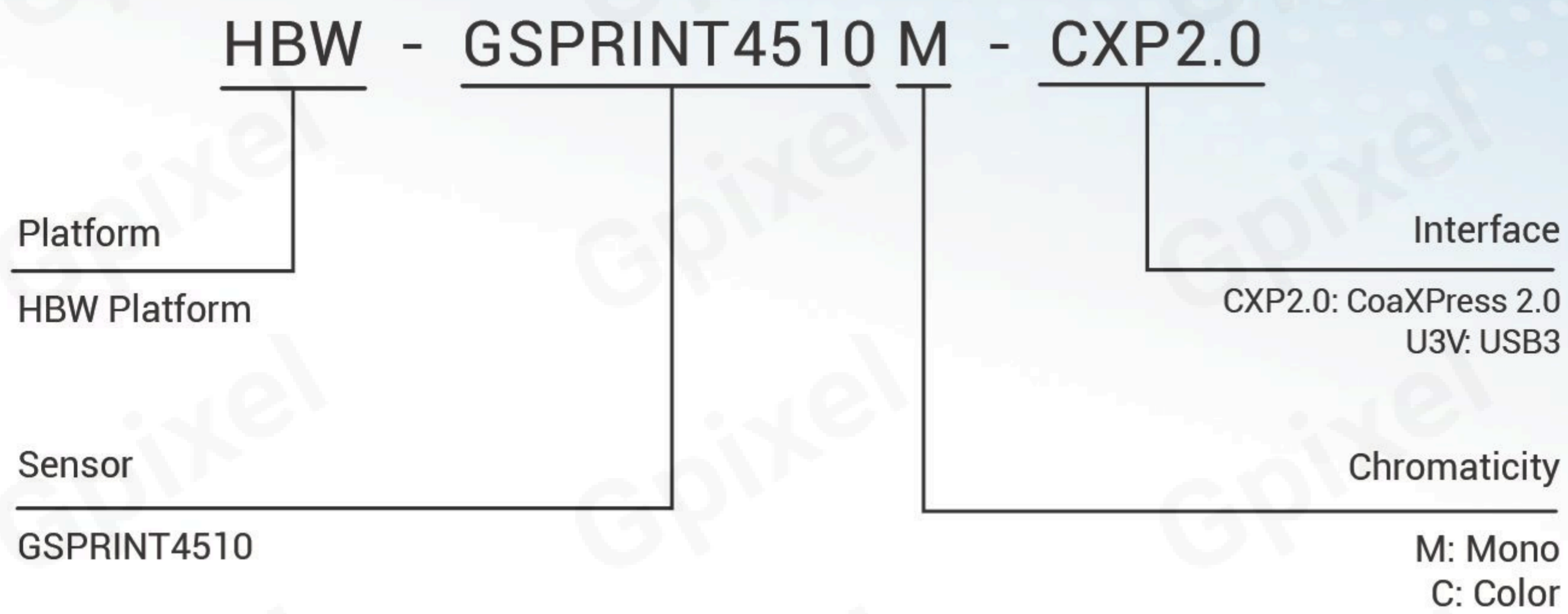
### Key Features

- CoaXPress 2.0 Interface/USB3 Interface
- Raw Image Output
- 8/10/12-bit Modes
- Normal, Binned or Windowed Readout
- GenICam Compatible
- User-friendly Form Factor
- M42- and F-mount

### Specifications

Item	Description
Sensor	GSPRINT4510
Output Interface	CoaXPress 2.0/USB3
Resolution (H x V)	4608 x 2176
Frame Rates	Normal: 392fps (8b) / 301fps (12b)@ CoaXPress 2.0 38fps (8b) / 19fps (12b)@ USB3 Binned: 1460fps (8b) / 1127fps (12b) @ CoaXPress 2.0 157fps (8b) / 78fps (12b)@ USB3
Exposure Time	1 $\mu$ s ~ 49.99s
Pixel Bit Depth	8/10/12-bit
Trigger Mode	External / Free Running
Lens Mount	M42-mount / F-mount
Power Supply	10 – 25V
Power Consumption	Typical 23.5W@12V DC @CoaXPress 2.0 Typical 14.2W@12V DC @USB3
Operating Temperature	0-50°C

## Ordering Information



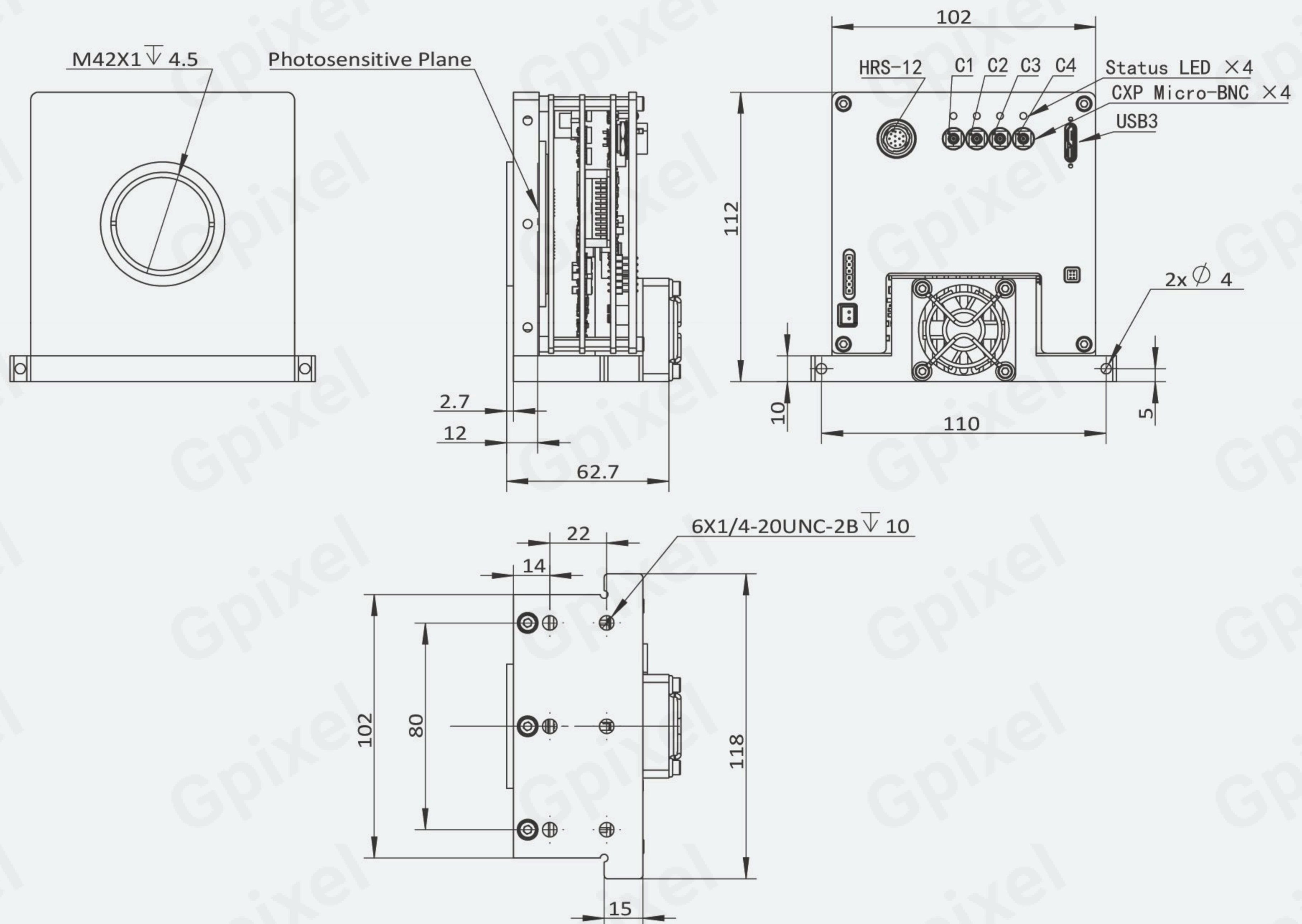
Note: Sensor is soldered on the PCB

## Evaluation Kit Includes

- Evaluation module
- Power adapter
- Power Cable with DC plug and trigger
- DC Plug adapter 2.1mm to 2.5mm
- Extension ring M42 to M42
- F-mount adapter
- USB Cable Type-A to Micro-B (only USB3 Interface)

Note: a CXP2.0 frame grabber and four CXP cables are required to use this evaluation kit.

## Mechanical Drawing



Note: HBW-GSPRINT4510M-CXP2.0 only has CXP Micro-BNC connector,  
HBW- GSPRINT4510M-U3V only has USB3 Micro-B connector.

## Contact Gpixel HQ

Add: Building #5, Optoelectronic Information Industrial Park, #7691 Ziyou Road, Changchun, Jilin, China.

Tel: +86-0431-85077785  
Email: [info@gpixel.com](mailto:info@gpixel.com)  
Website: [www.gpixel.com](http://www.gpixel.com)

Revision 20240606

