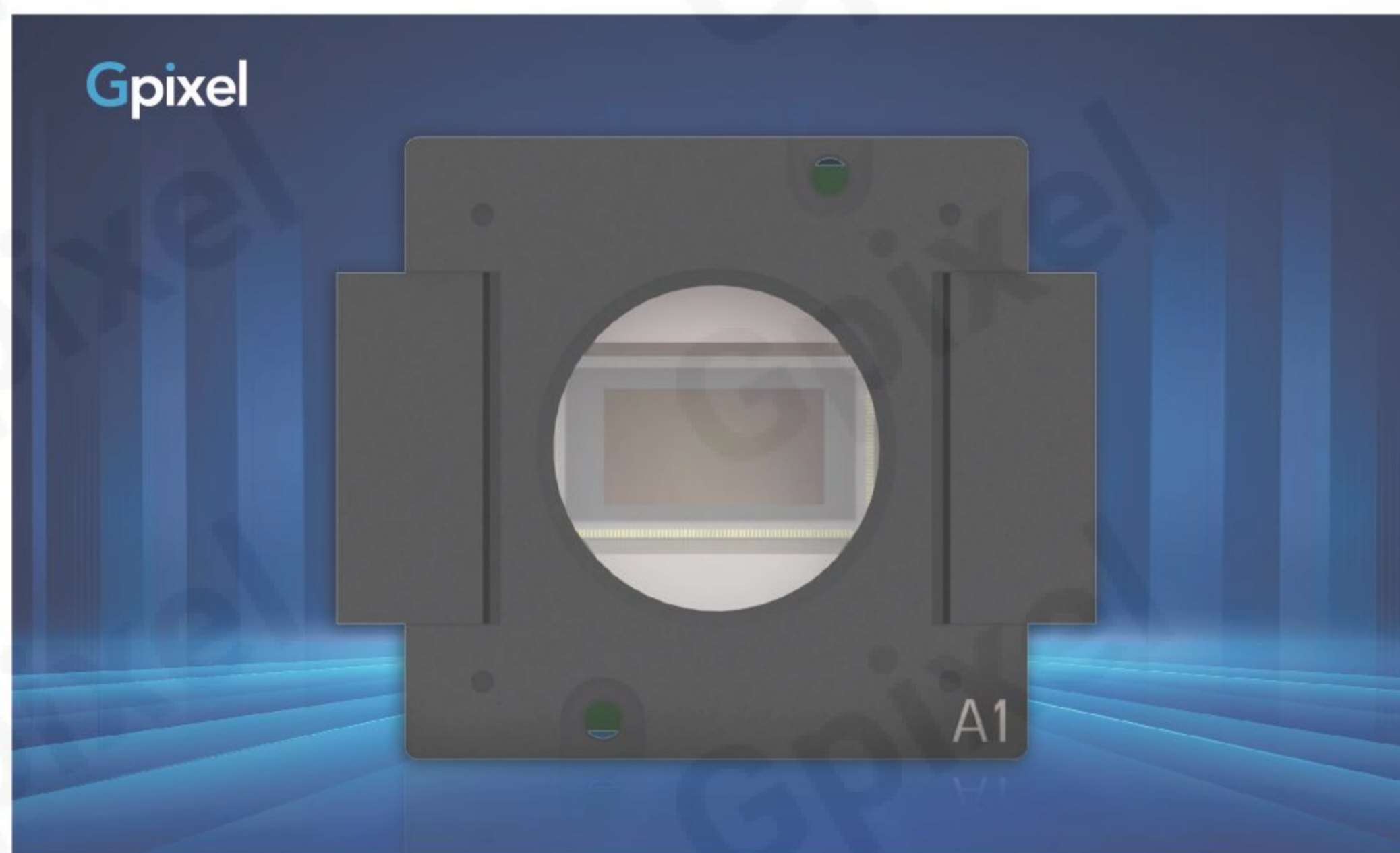


GMAX3809

Evaluation Kit

General Description

Gpixel's USB3-based evaluation platform is ideal for an easy and accurate evaluation of the GMAX3809 CMOS sensor. Its form factor, the GenICam compatibility and external triggering options provide flexible setup options in both lab and industrial environments. The high-speed USB3 interface ensures a smooth, real-time imaging experience.



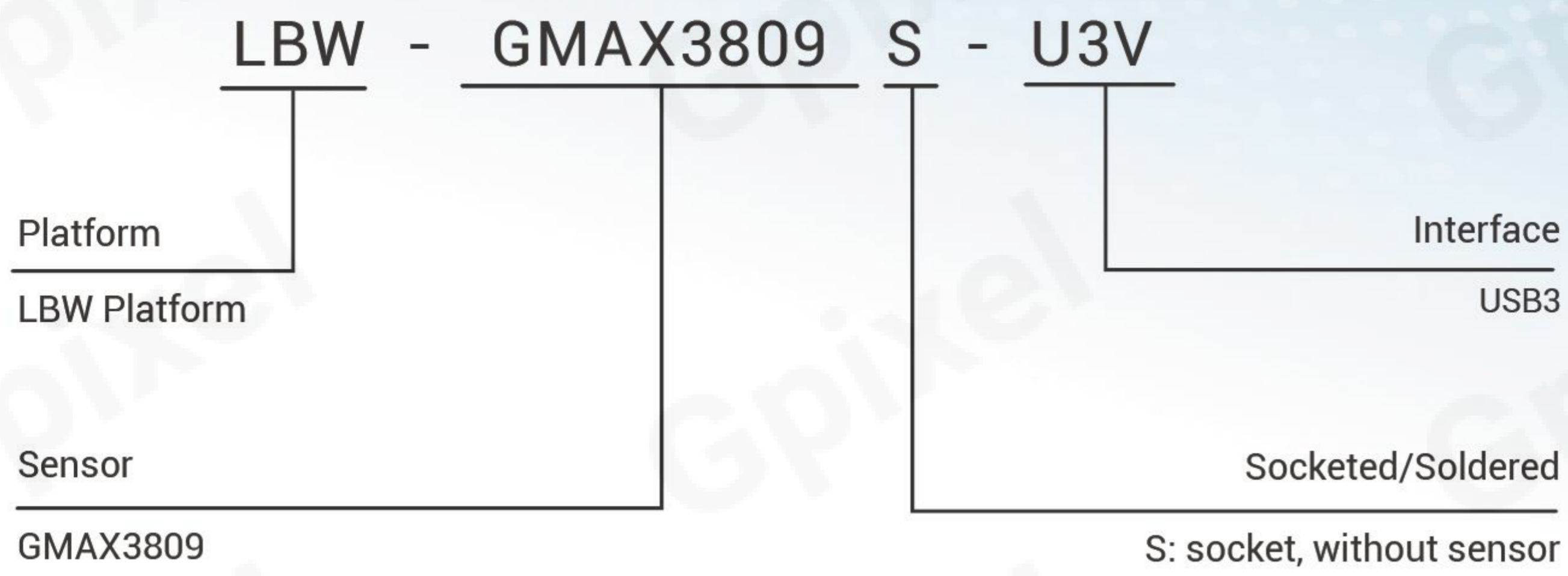
Key Features

- USB3 Interface
- Raw Image Output
- Multiple Region HDR
- LED Flicker Mitigation
- GenICam Compatible
- User-friendly Form Factor
- C/CS-mount

Specifications

Item	Description
Sensor	GMAX3809
Output Interface	USB3
Resolution (H x V)	4096 x 2160
Frame Rates	53.95fps @LVDS 12bit
Exposure Time	10μs ~ 49.9s
Pixel Bit Depth	12-bit
Trigger Mode	External / Free Running
ROIs	Vertical / Horizontal
Lens Mount	C/CS-mount
Power Supply	9V~15V
Power Consumption	Typical 3.9W@12V DC
Operating Temperature	0-50°C

Ordering Information

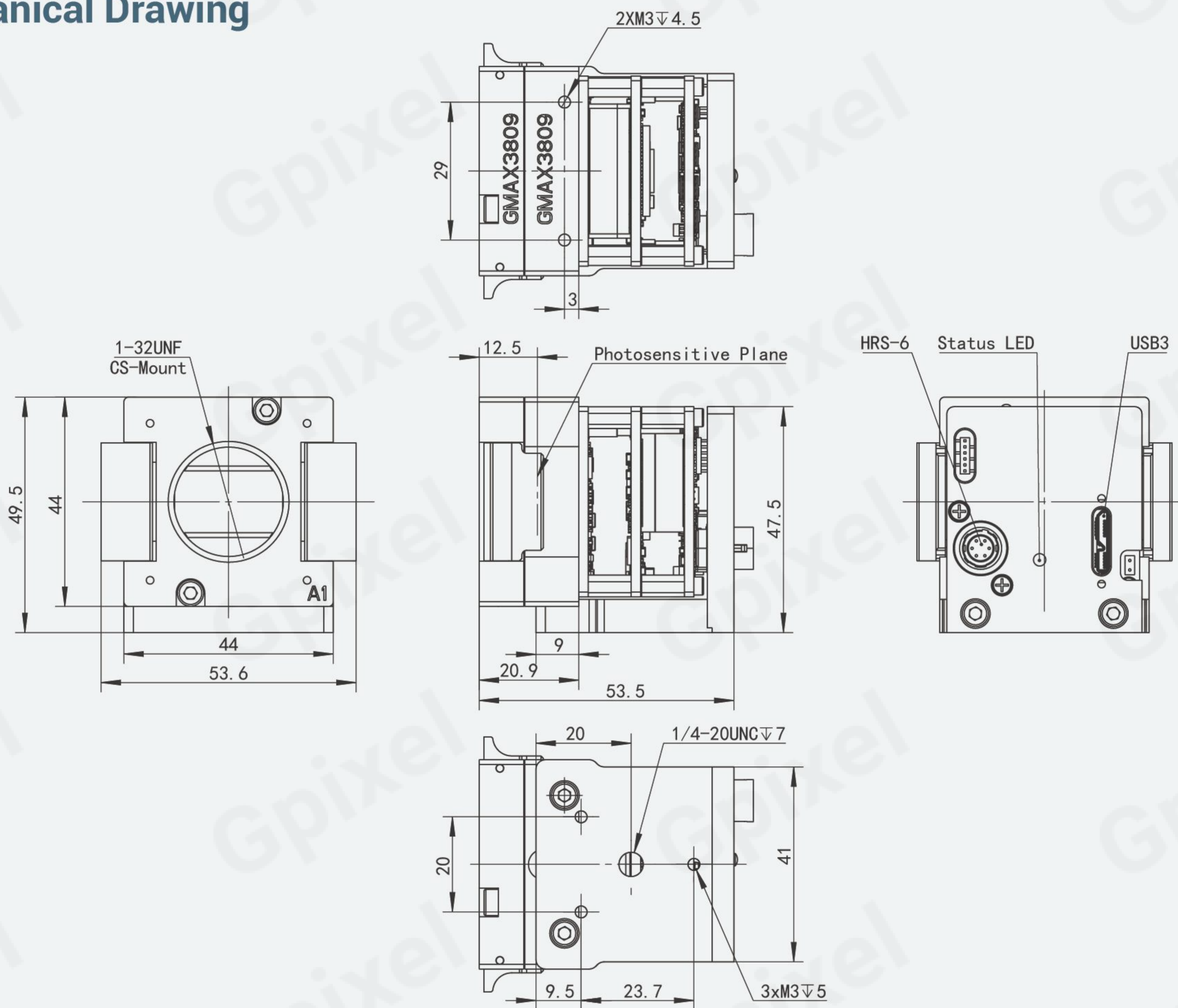


Evaluation Kit Includes

- Evaluation module
- USB cable Type-A to Micro-B
- Extension ring 5mm, C/CS mounting
- Trigger cable

Note: The sensor is not included in evaluation module.

Mechanical Drawing



Contact Gpixel HQ

Add: Building #5, Optoelectronic Information Industrial Park, #7691 Ziyou Road, Changchun, Jilin, China.

Tel: +86-0431-85077785
 Email: info@gpixel.com
 Website: www.gpixel.com

Revision 20240228

