



GSPRINT4502 Evaluation Kit

General Description

Gpixel's USB3-based evaluation platform is ideal for an easy and accurate evaluation of the GSPRINT4502 CMOS sensor. Its form factor, the GenICam compatibility and external triggering options provide flexible setup options in both lab and industrial environments. The high-speed USB3 interface ensures a smooth, real-time imaging experience.



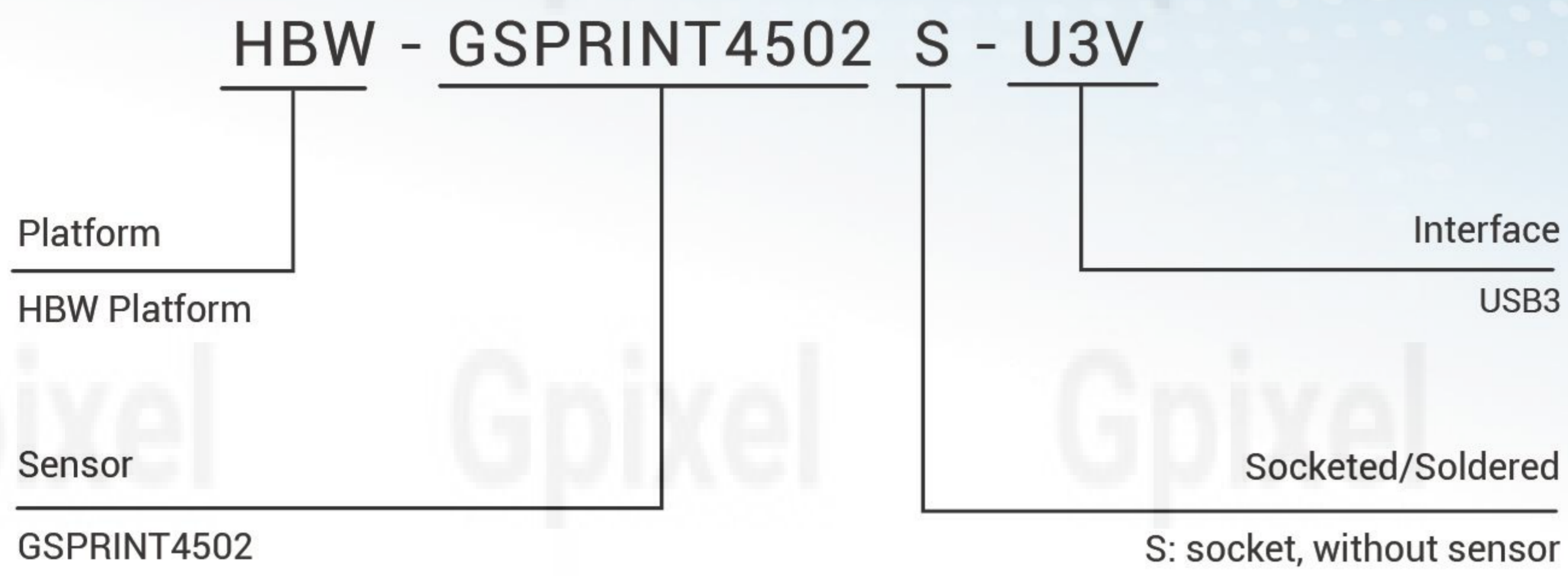
Key Features

- USB3 Interface
- Raw Image Output
- 8/10/12-bit Modes
- Normal, Binned or Windowed Readout
- GenICam Compatible
- User-friendly Form Factor
- C/CS-mount

Specifications

Item	Description
Sensor	GSPRINT4502
Output Interface	USB3
Resolution (H x V)	2048 x 1216
Frame Rates(binned)	842fps (2966fps) @12bit 1751fps (5845fps) @10bit 2354fps (7433fps) @8bit
Exposure Time	1 μ s ~ 49.99s
Pixel Bit Depth	8/10/12-bit
Trigger Mode	External / Free Running
Lens Mount	C/CS-mount
Power Supply	10 – 25V
Power Consumption	Typical 14.3W@12V DC
Operating Temperature	0-50°C

Ordering Information

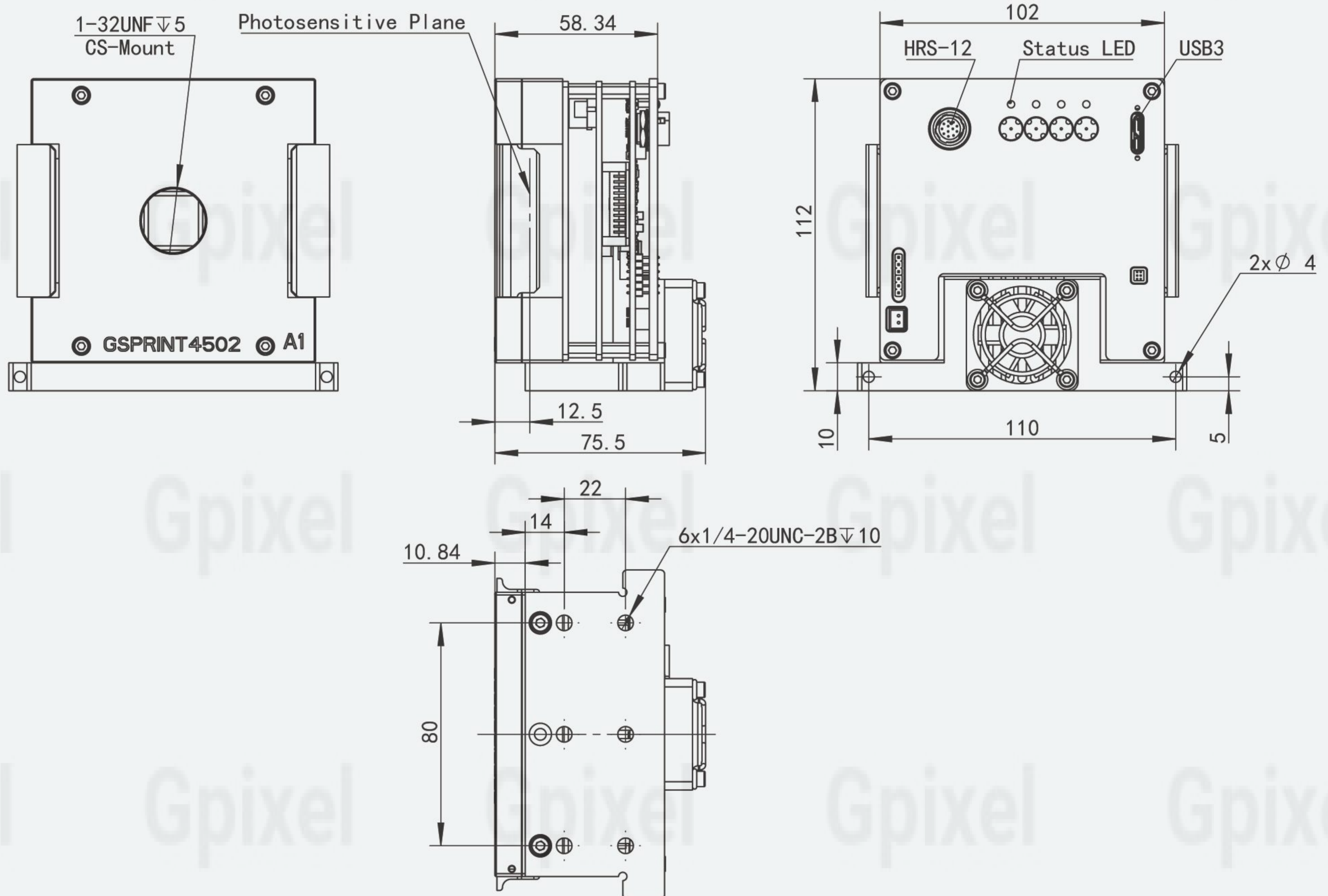


Evaluation Kit Includes

- Evaluation module
- Power adapter
- Power cable with DC plug and trigger
- DC plug adapter 2.1 mm to 2.5mm
- Extension ring 5mm, C/CS mounting
- USB cable Type-A to Micro-B

Note: The sensor is not included in evaluation module.

Mechanical Drawing



Contact Gpixel HQ

Add: Building #5, Optoelectronic Information Industrial Park, #7691 Ziyou Road, Changchun, Jilin, China.

Tel: +86-0431-85077785

Email: info@gpixel.com

Website: www.gpixel.com

Revision 20240226

