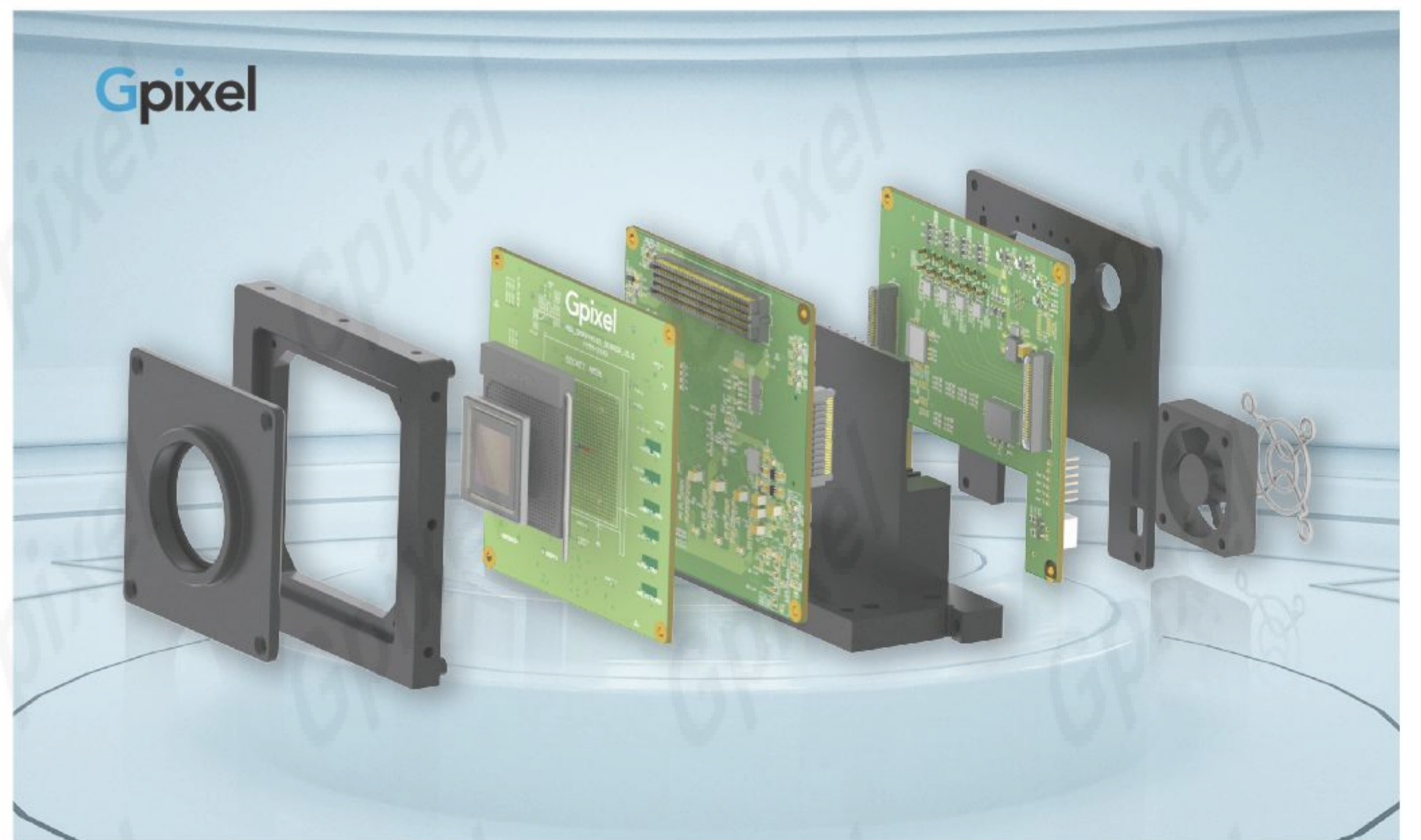
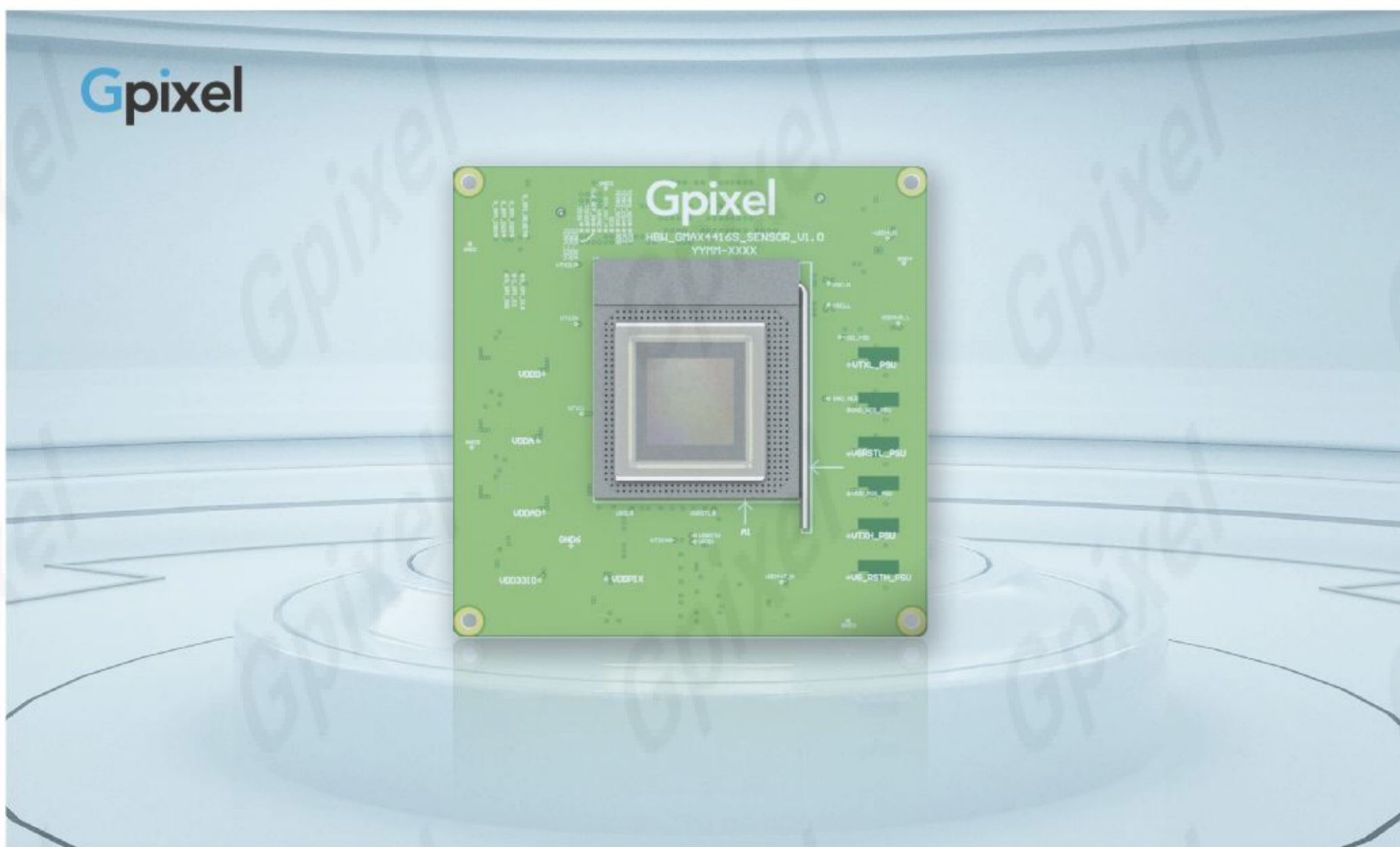


GMAX4416

Evaluation Kit

General Description

Gpixel's USB3-based evaluation platform is ideal for an easy and accurate evaluation of the GMAX4416 image sensor. Its form factor, the GenICam compatibility and external triggering options provide flexible setup options in both lab and industrial environments. The high-speed USB3 interface ensures a smooth, real-time imaging experience.



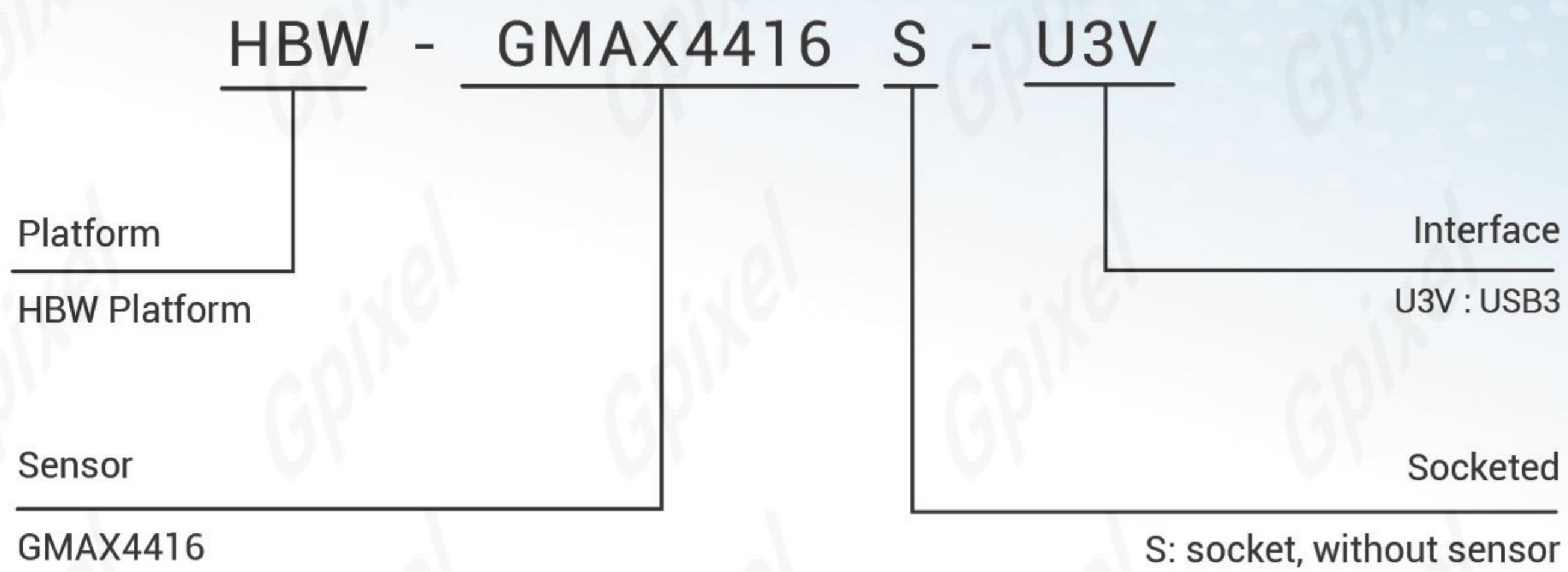
Key Features

- USB3 Interface
- Raw Image Output
- STD, HDR or Binning HDR Output
- GenICam Compatible
- User-friendly Form Factor
- M42-mount or F-mount

Specifications

Item	Description
Sensor	GMAX4416
Output Interface	USB3
Resolution (H x V)	4096 x 4096
Frame Rates	42fps @ HDR / 80fps @ others
Exposure Time	21μs ~ 49.9s
Pixel Bit Depth	12-bit
HDR	Support 16 bit HDR composition
Trigger Mode	External / Free Running
ROIs	1~48 vertical ROIs
Lens Mount	M42-mount or F-mount
Power Supply	10V~25V
Power Consumption	Typical 11.5W @ 12V DC
Operating Temperature	0-50°C

Ordering Information

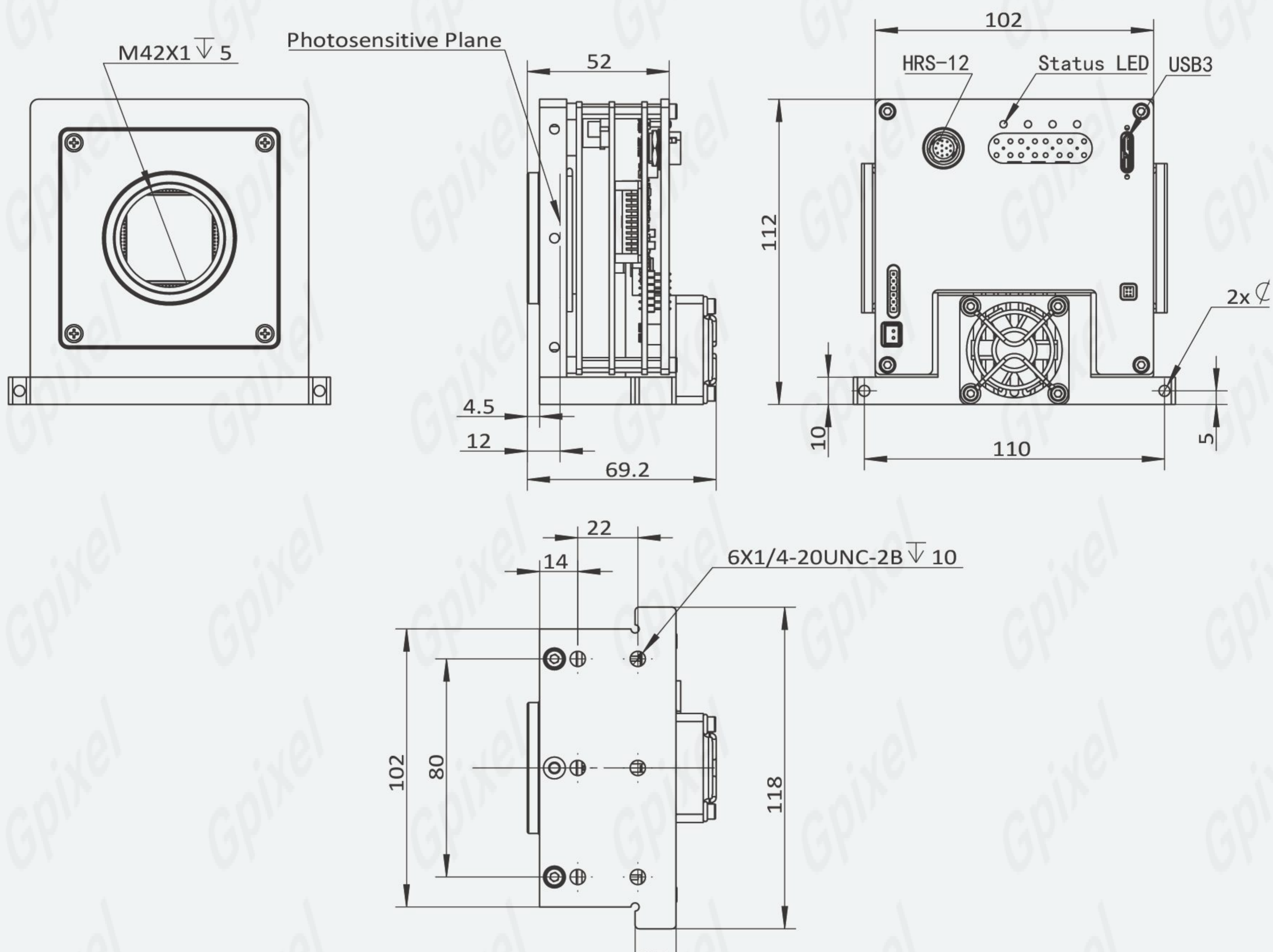


Evaluation Kit Includes

- Evaluation module
- Power cable with DC plug and trigger
- USB cable type-A to micro-B
- Extension ring M42 to M42-19.5mm
- F-mount adapter, 15mm
- Power adapter
- DC plug adapter 2.1mm to 2.5mm

Note: The sensor is not included in evaluation module.

Mechanical Drawing



Contact Gpixel HQ

Add: Building #5, Optoelectronic Information Industrial Park, #7691 Ziyou Road, Changchun, Jilin, China.

Tel: +86-0431-85077785

Email: info@gpixel.com

Website: www.gpixel.com

Revision 20240912

