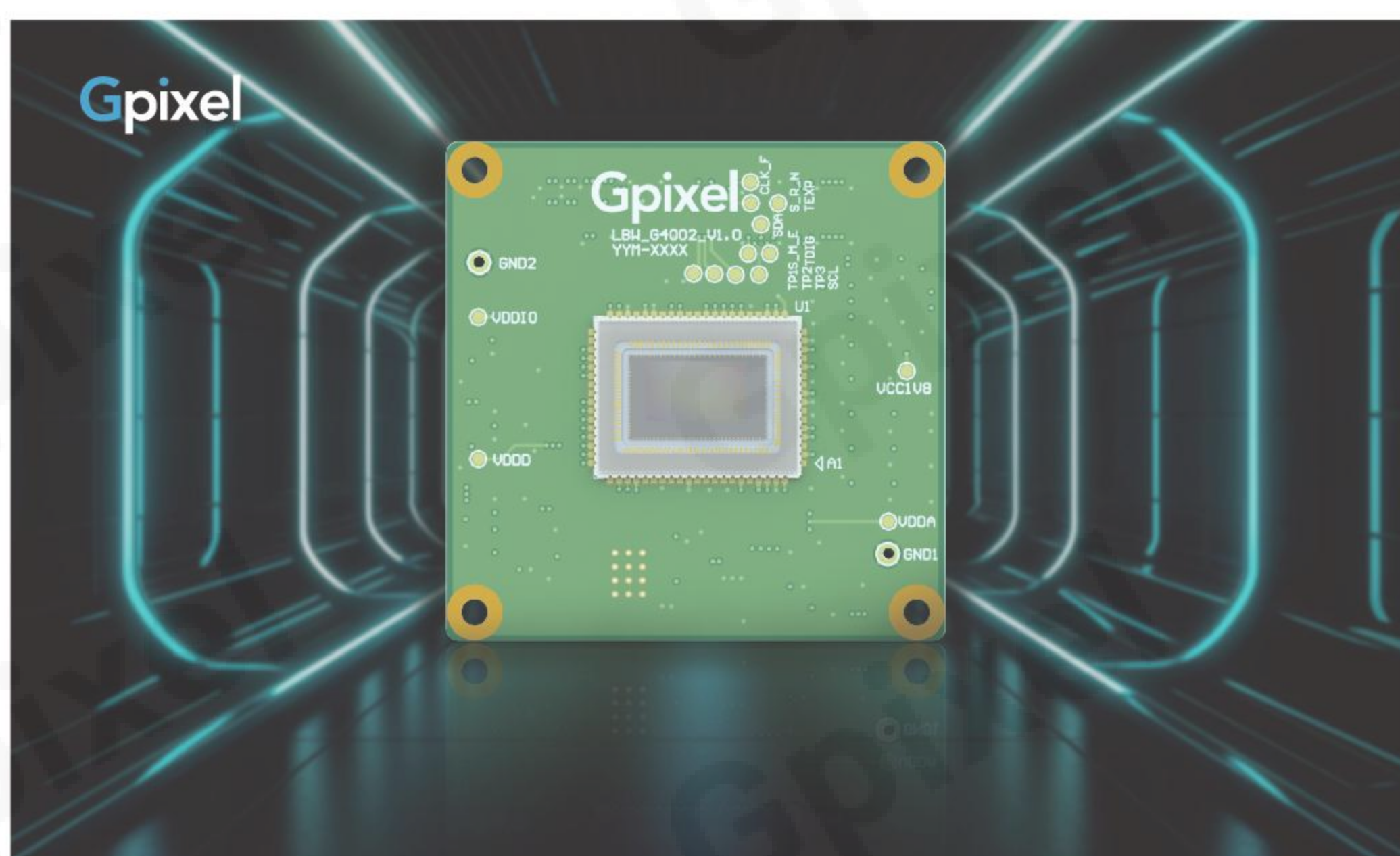


GMAX4002

Evaluation Kit

General Description

Gpixel's USB-based evaluation platform is ideal for an easy and accurate evaluation of the GMAX4002 CMOS sensor. Its form factor, the GenICam compatibility and external triggering options provide flexible setup options in both lab and industrial environments. The high-speed USB3.0 interface ensures a smooth, real-time imaging experience.



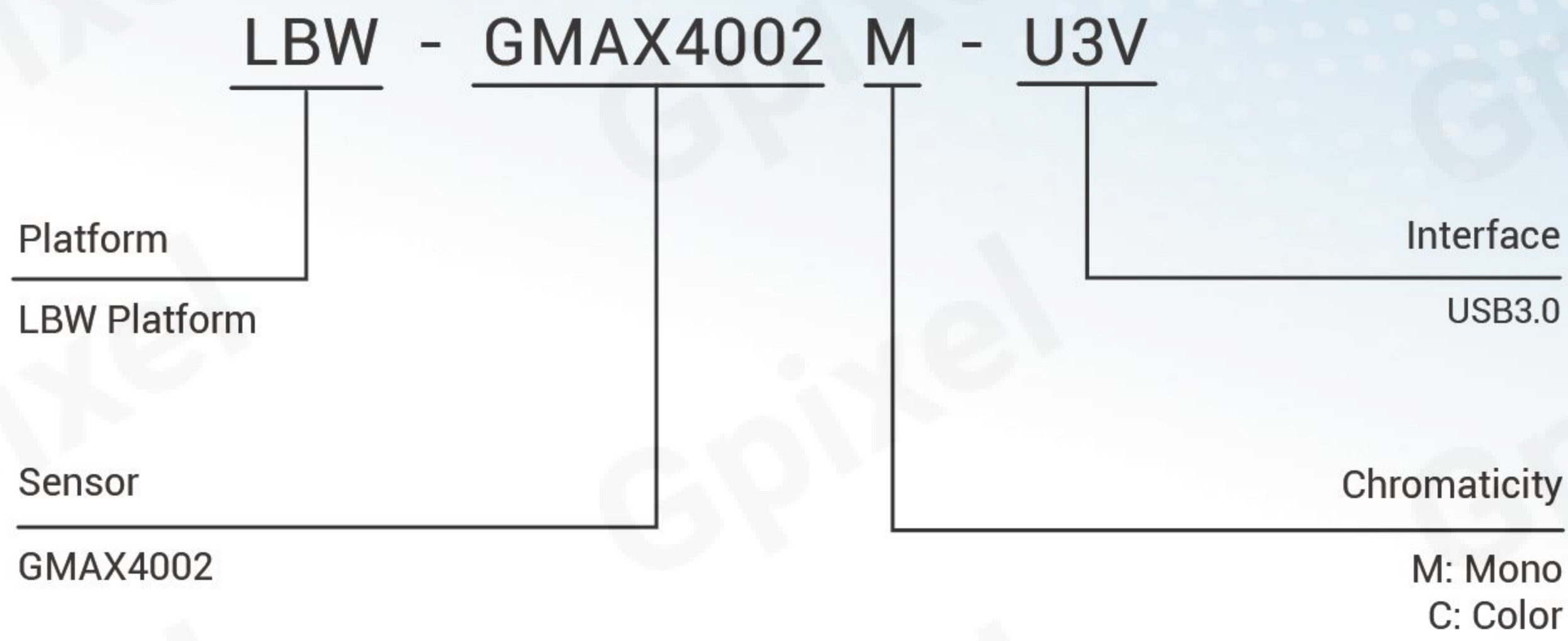
Key Features

- USB3.0 Interface
- Raw Image Output
- 8/10/12-bit Modes
- Normal, Binned or Windowed Readout
- Short Exposure Time (down to 1µs)
- GenICam Compatible
- User-friendly Form Factor
- C/CS-mount

Specifications

Item	Description
Sensor	GMAX4002
Output Interface	USB3.0
Resolution (H x V)	2048 x 1200
Frame Rates	Continuous mode 160fps (8b) / 80fps (10b, 12b) MultiFrame mode 344fps (2.4MP HS 10bit mode)
Exposure Time	1µs ~ 49.9 s
Pixel Bit Depth	8/10/12-bit
Trigger Mode	External / Free Running
Lens Mount	C/CS-mount
Power Supply	Power over USB
Power Consumption	3.6W
Operating Temperature	0-50°C

Ordering Information

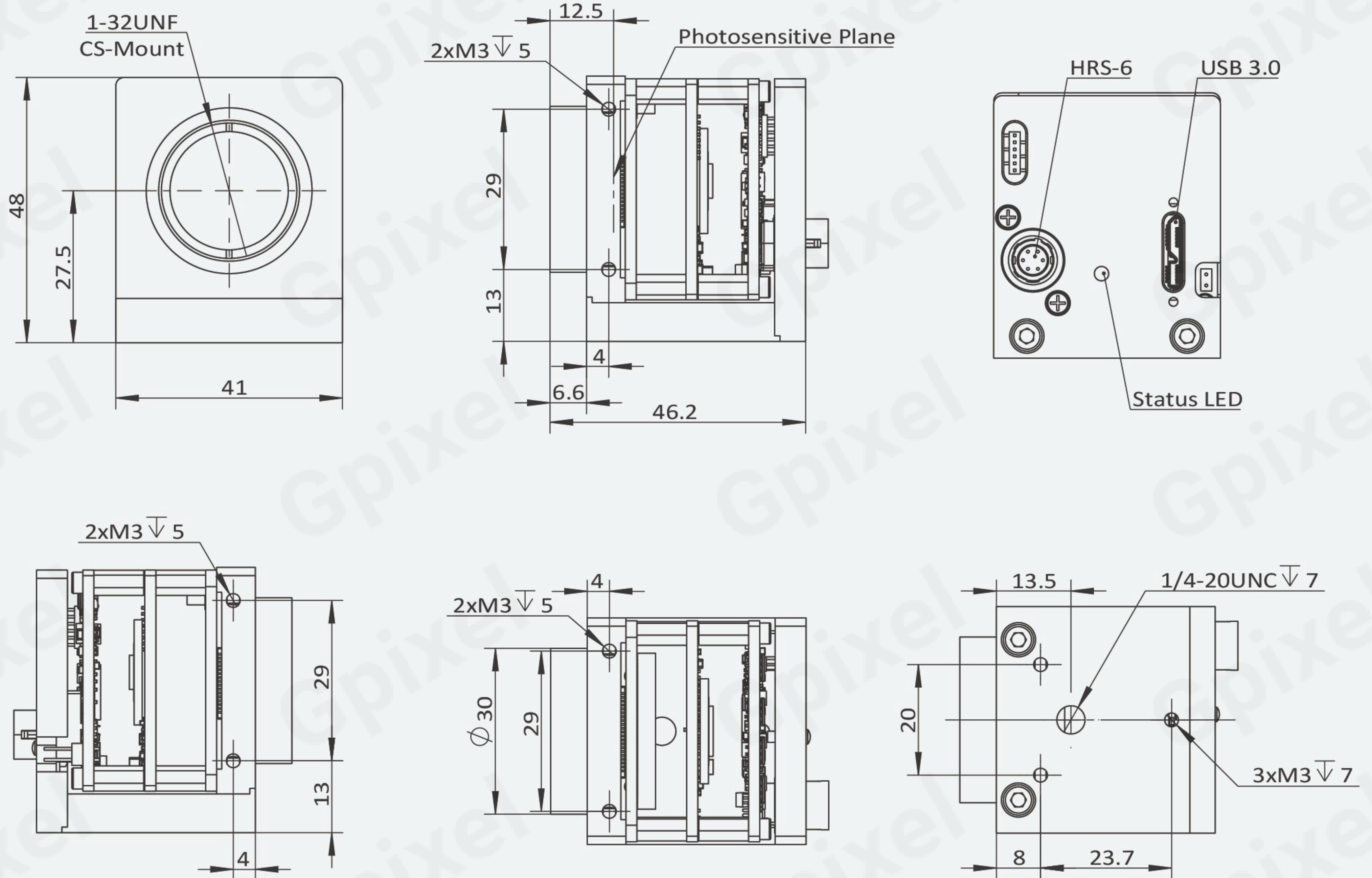


Note: Sensor is soldered on the PCB

Evaluation Kit Includes

- Evaluation module
- USB cable Type-A to Micro-B
- Extension ring 5mm, C/CS mounting
- Trigger cable

Mechanical Drawing



Contact Gpixel HQ

Add: Building #5, Optoelectronic Information Industrial Park, #7691 Ziyou Road, Changchun, Jilin, China.

Tel: +86-0431-85077785

Email: info@gpixel.com

Website: www.gpixel.com

Revision 20231019

