

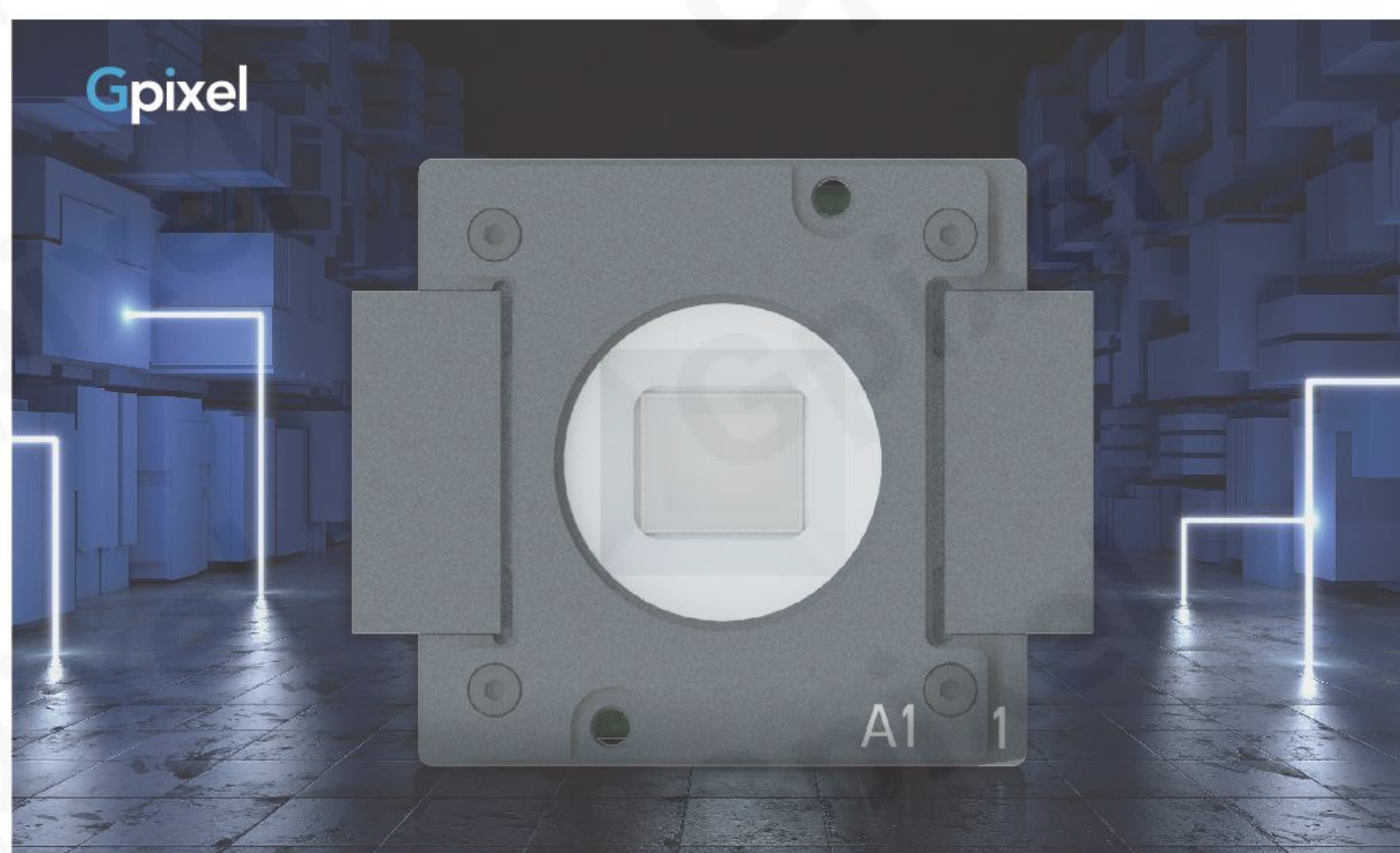


# GMAX3405

## Evaluation Kit

### General Description

Gpixel's USB3-based evaluation platform is ideal for an easy and accurate evaluation of the GMAX3405 CMOS sensor. Its form factor, the GenICam compatibility and external triggering options provide flexible setup options in both lab and industrial environments. The high-speed USB3 interface ensures a smooth, real-time imaging experience.



### Key Features

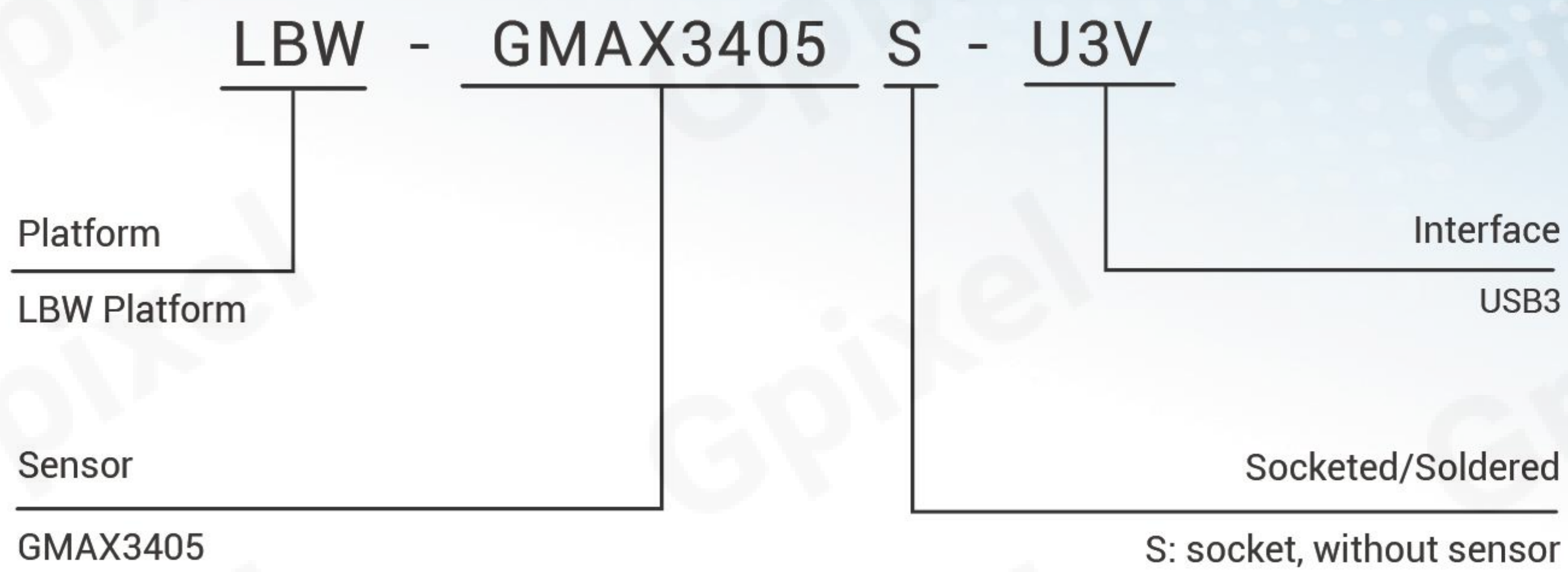
- USB3 Interface
- Raw Image Output
- 10/12-bit Modes
- Multiple Slope / Region HDR
- GenICam Compatible
- User-friendly Form Factor
- C/CS-mount

### Specifications

Item	Description
Sensor	GMAX3405
Output Interface	USB3
Resolution (H x V)	2448 x 2048
Frame Rates	100fps @LVDS 12bit / 164fps @LVDS 10bit 73fps @MIPI 12bit
Exposure Time	1 $\mu$ s ~ 49.9s
Pixel Bit Depth	10/12-bit
Trigger Mode	External / Free Running
ROIs	Vertical / Horizontal
Lens Mount	C/CS-mount
Power Supply	9V~15V
Power Consumption	Typical 3.6W@12V DC
Operating Temperature	0-50°C



## Ordering Information

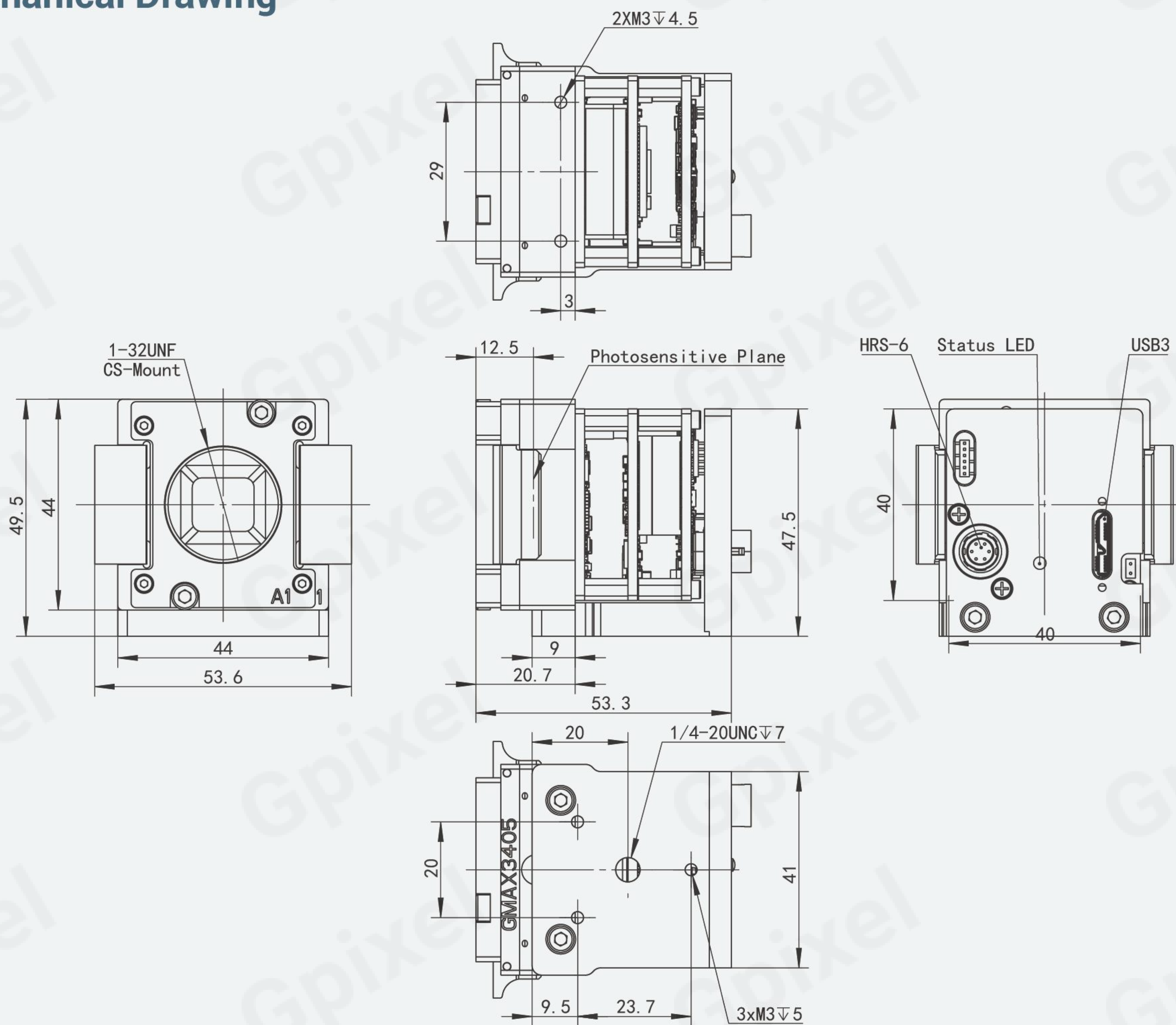


## Evaluation Kit Includes

- Evaluation module
- Power adapter
- USB cable Type-A to Micro-B
- Extension ring 5mm, C/CS mounting
- Trigger&Power cable HRS-6 cable
- DC Plug adapter 2.1mm to 2.5mm

Note: The sensor is not included in evaluation module.

## Mechanical Drawing



## Contact Gpixel HQ

Add: Building #5, Optoelectronic Information Industrial Park, #7691 Ziyou Road, Changchun, Jilin, China.

Tel: +86-0431-85077785

Email: [info@gpixel.com](mailto:info@gpixel.com)

Website: [www.gpixel.com](http://www.gpixel.com)

Revision 20240222

